

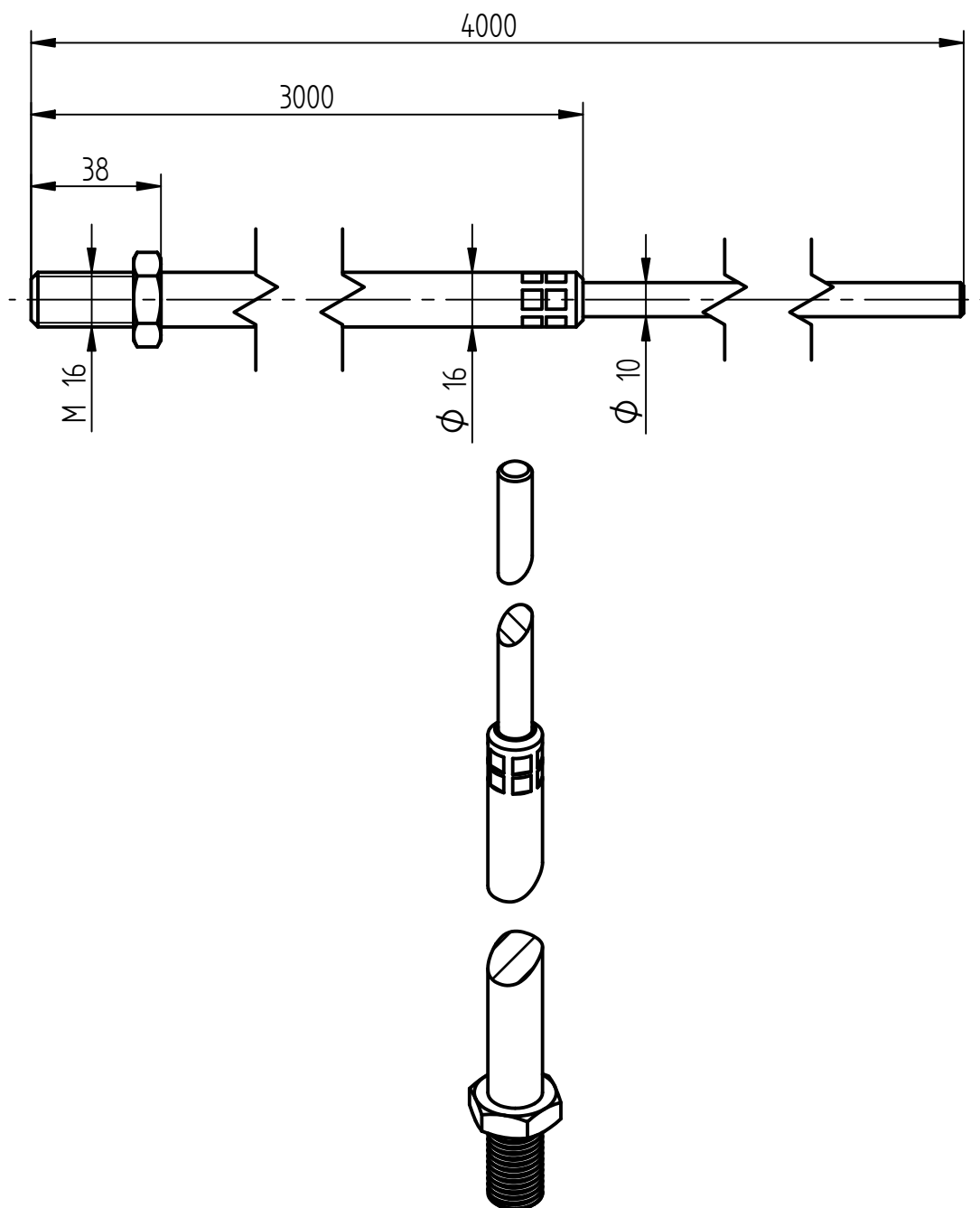
Product Specification

Ord.-No.: **103 117 / E0680495**



Specification: Optimal air-termination rod, Alu, 4.0 m
Ø 16/10 mm, with thread M16 and lock nut

Performance: Optimal air-termination rod according to DIN EN 62561-2 for the protection of roof structures. Type suitable for concrete bases with thread insert. Only with additional, insulated stand-off.



Please select the suitable concrete base according to your conditions using the "Selection guide for air-termination rods" in the "Air termination systems" chapter of our current general catalog.

Material	Aluminium AlMgSi 0.5
Total Length	4.000 mm
Diameter	16/10 mm (Ø 10 mm, 1000 mm length)
Thread	M16 with lock nut DIN 439 FZN
Weight	1850 g
Standard reference	DIN EN 62561-2
Packing unit	10 units