

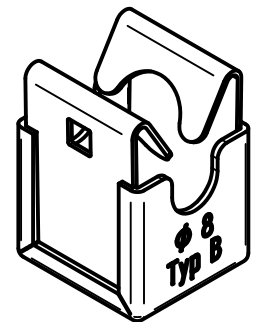
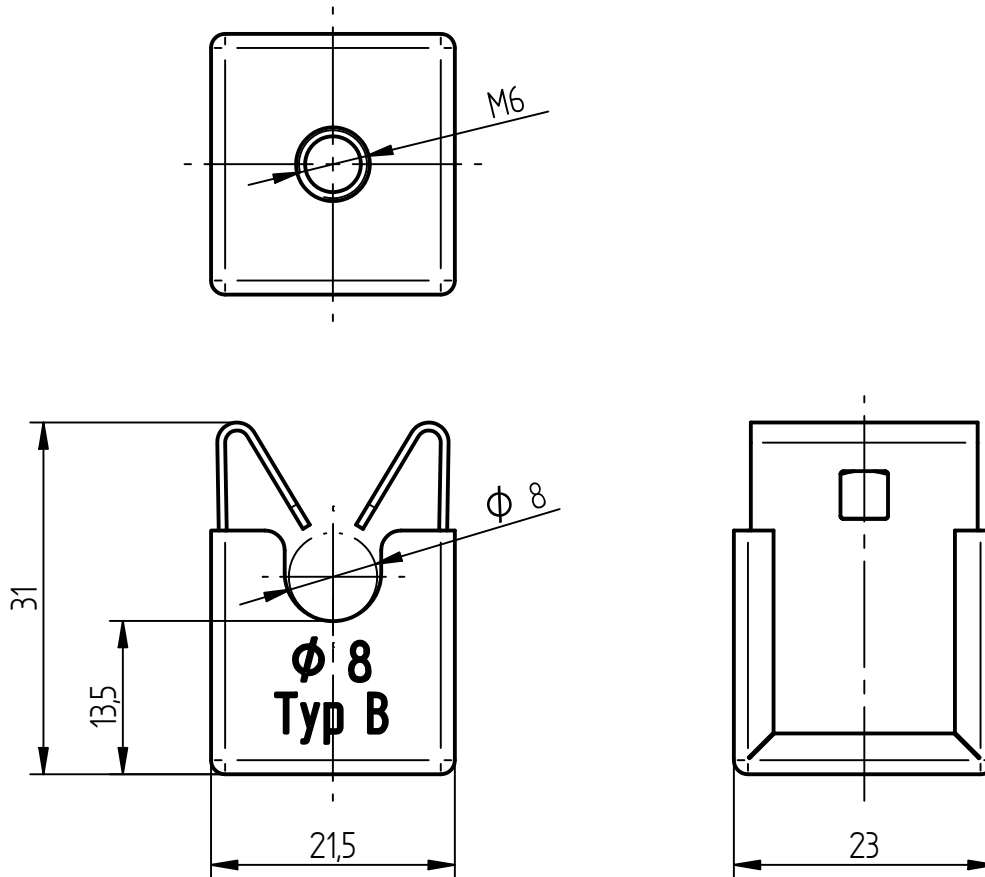
Product Specification

Ord.-No.: 110 095 / E0683757



Specification: Niro-Clip conductor fastener, V2A
Ø 8 mm, type B, with thread M6

Performance: Niro-Clip conductor fastener according to DIN EN 62561-4 for fixing round conductors to walls.



Material of conductor fastener	Stainless steel V2A
Height of conductor leading	13.5 mm
Fit of conductor fastener	Ø 8 mm
Conductor leading	loose, type B
Fixing of conductor fastener	M6
Weight	21 g
Standard reference	DIN EN 62561-4
Packing unit	200 units