

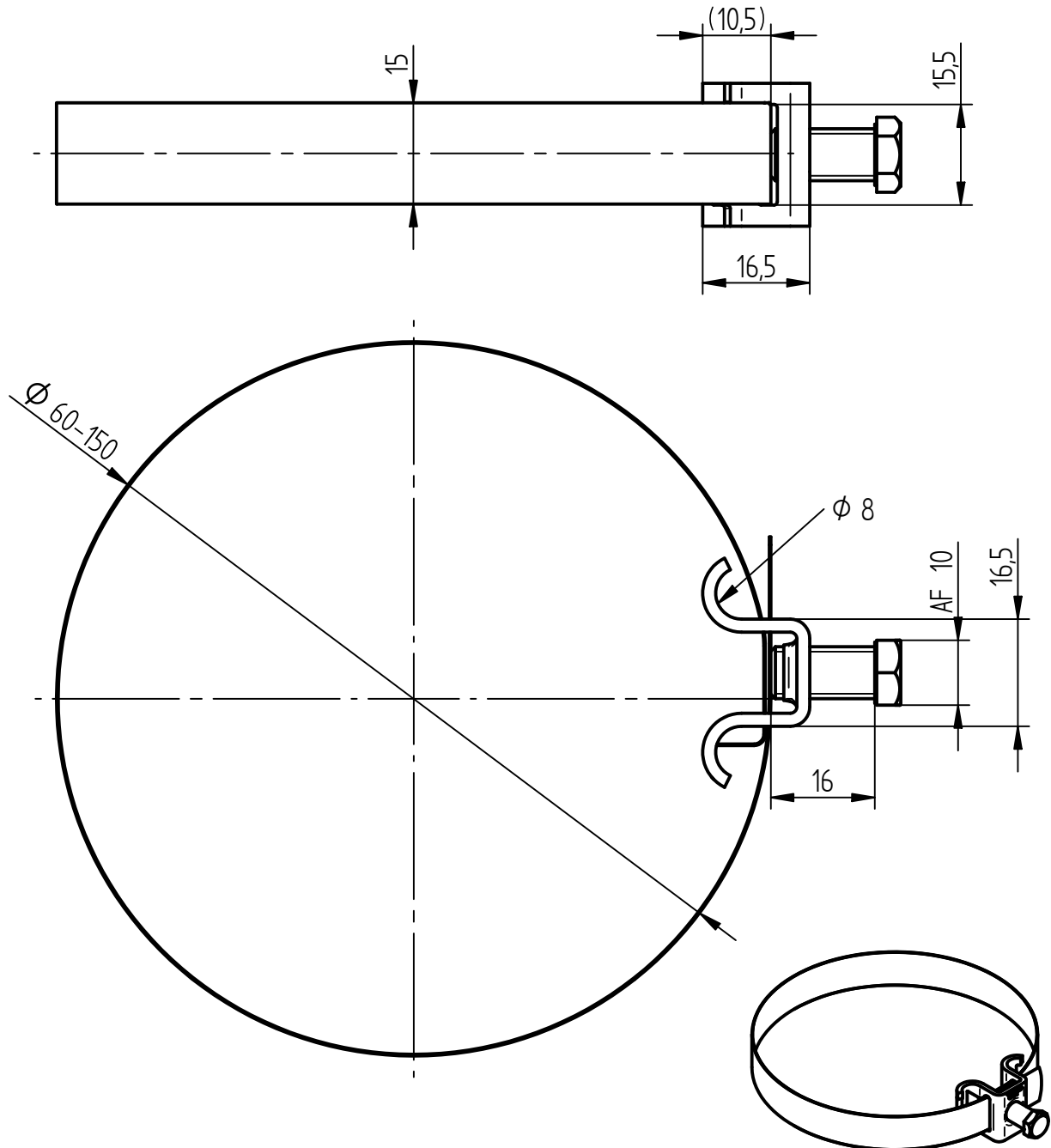
Product Specification

Ord.-No.: 110 251 / E0683640



Specification: Downpipe conductor fastener, V2A, Ø 8 mm for pipe diameter Ø 60-150 mm

Performance: Downpipe conductor fastener according to DIN EN 62561-4 with embossing for the installation of conductors behind the downpipe. No additional fastener on the wall is necessary! Very fast and clean installation.



Material	Stainless steel V2A
Fit	Ø 8 mm
Pipe diameter	Ø 60-150 mm
Screw	Hexagon bolt M8 (AF 10 mm), stainless steel V2A
Weight	48 g
Standard reference	DIN EN 62561-4
Packing unit	50 units