

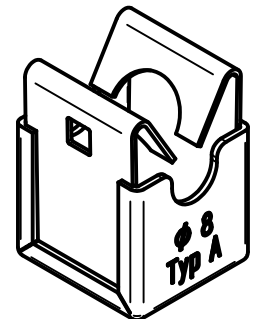
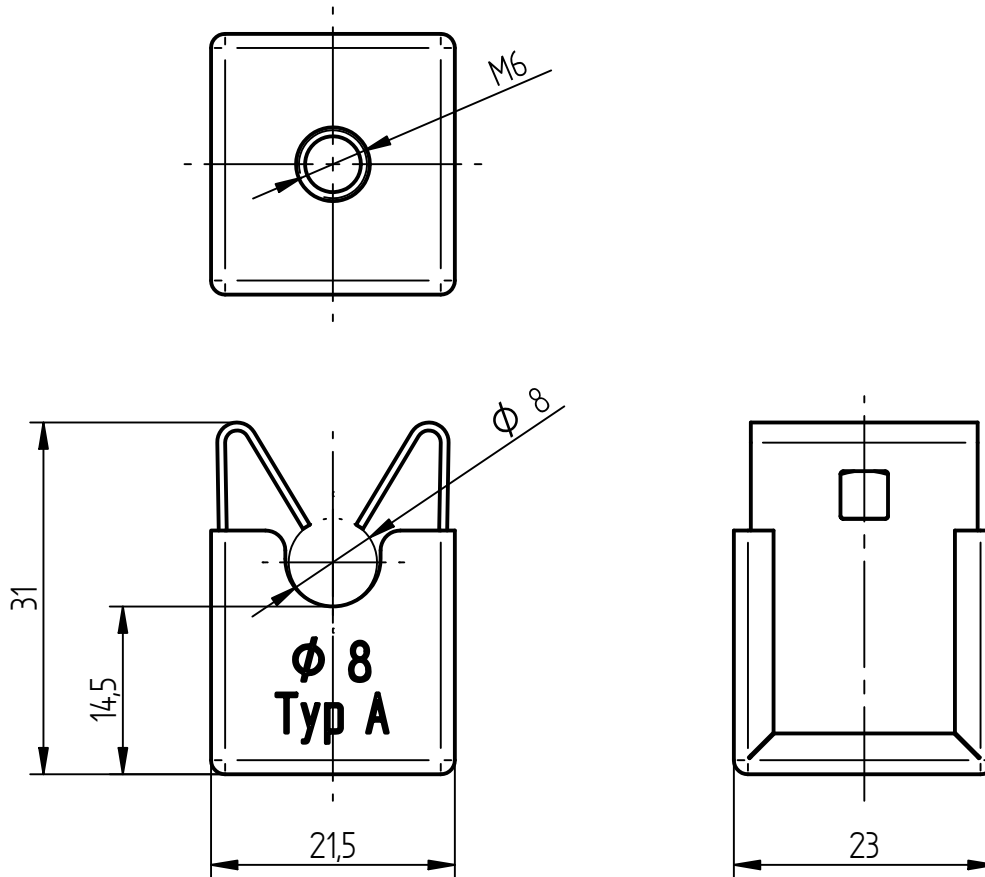
# Product Specification

**Ord.-No.:** **111 005 / E0683642**



**Specification:** Niro-Clip conductor fastener, V2A  
Ø 8 mm, type A, with thread M6

**Performance:** Niro-Clip conductor fastener according to DIN EN 62561-4 for fixing round conductors to walls.



Material of conductor fastener	Stainless steel V2A
Height of conductor leading	14.5 mm
Fit of conductor fastener	Ø 8 mm
Conductor leading	fixed, type A
Fixing of conductor fastener	M6
Weight	21 g
Standard reference	DIN EN 62561-4
Packing unit	200 units