

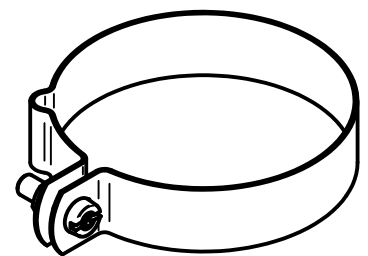
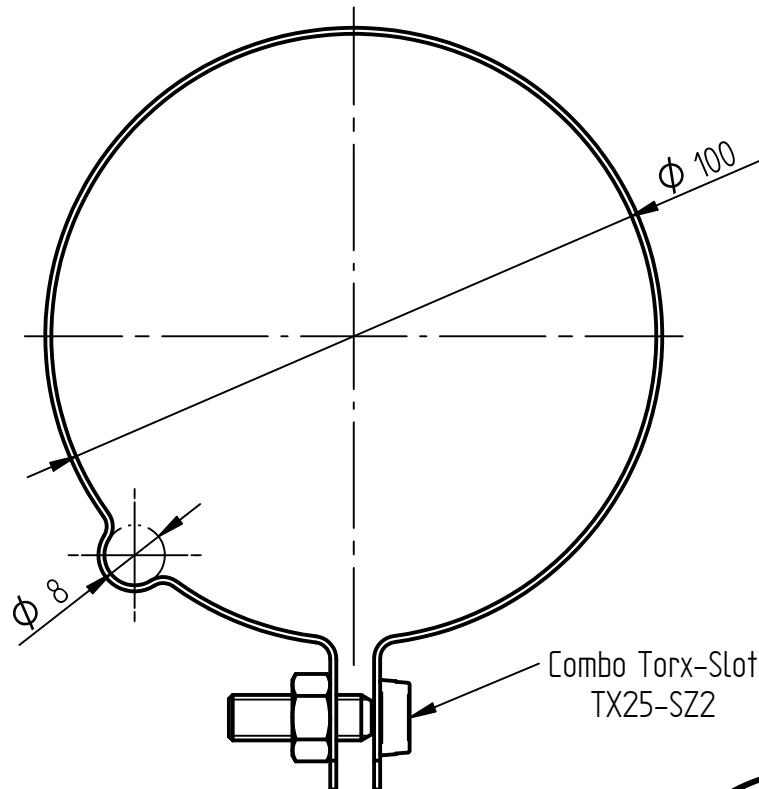
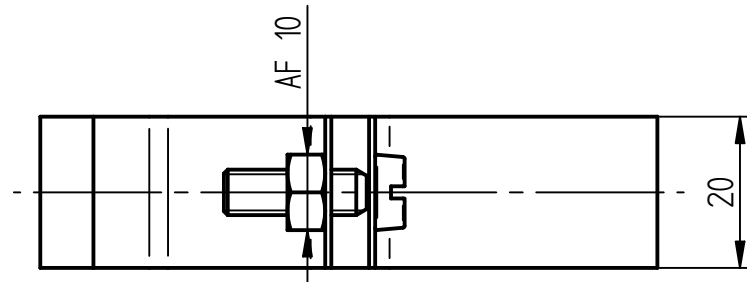
Product Specification

Ord.-No.: 111 225 / E0683773



Specification: Downpipe conductor fastener, St/tZn
Ø 8 mm, for pipe diameter Ø 100 mm

Performance: Downpipe conductor fastener according to DIN EN 62561-4 with beading for the installation of conductors behind the downpipe. No additional fastener on the wall is necessary! Very fast and clean installation.



Material	St/tZn
Fit	Ø 8 mm
Pipe diameter	Ø 100 mm
Type of installation	Cylinder head screw M6 with nut, stainless steel V2A
Weight	50 g
Standard reference	DIN EN 62561-4
Packing unit	25 units