

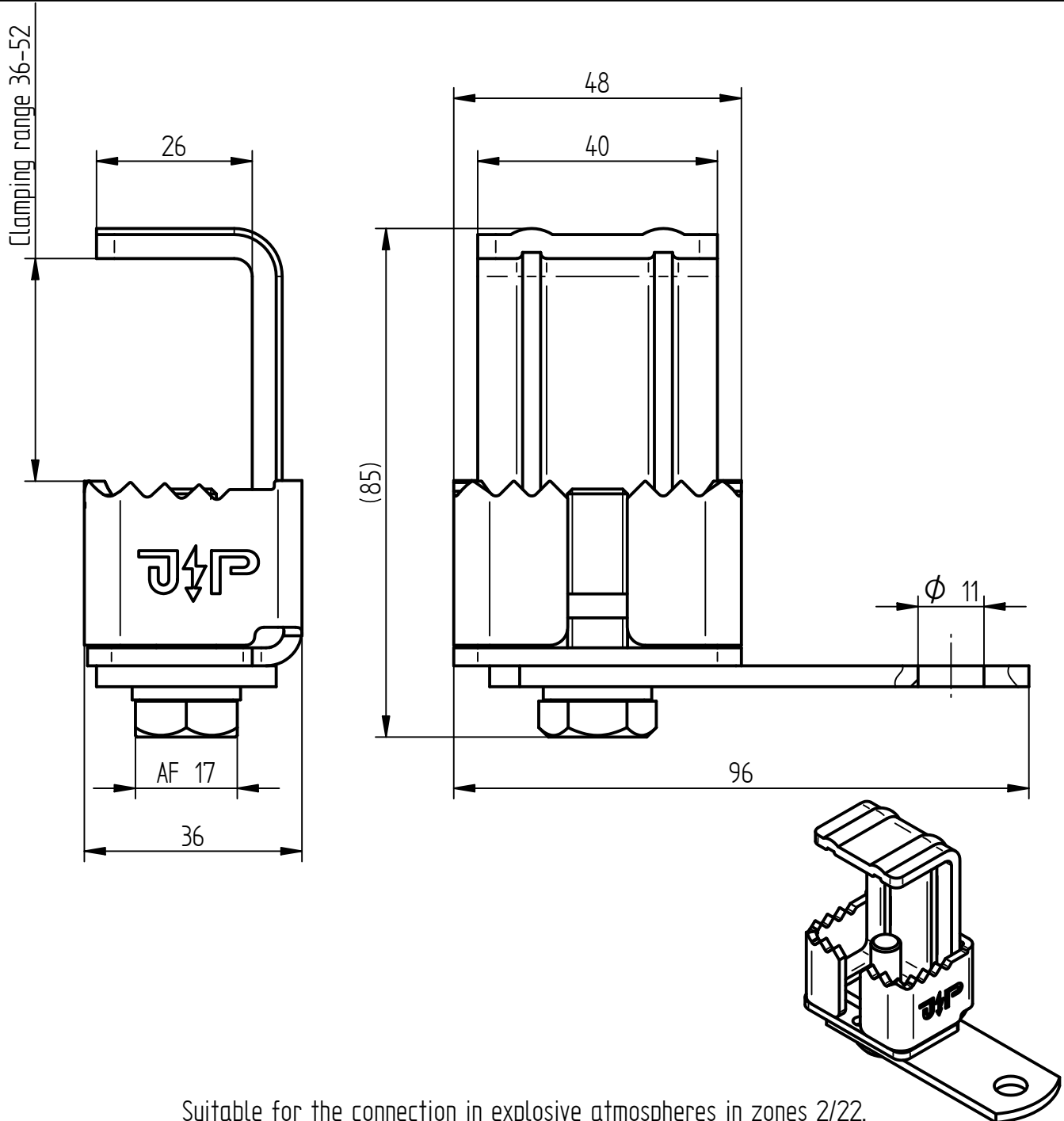
Product Specification

Ord.-No.: **111 389 / E0683746**



Specification: Terminal clamp, clamping range 36-52 mm
V2A, with terminal lug, bore \varnothing 11 mm

Performance: Terminal clamp (heavy-duty type) according to DIN EN 62561-1 with terminal lug for the connection to steel constructions.



Suitable for the connection in explosive atmospheres in zones 2/22.

The clamp is secured against self-loosening by a spring washer according to DIN EN 62305-3 Supplement 2.

Material	Stainless steel V2A
Clamping range	36-52 mm
Terminal lug	Bore \varnothing 11 mm
Screw	Hexagon bolt M10 with spring lock washer, stainless steel V2A
Weight	351 g
Standard reference	DIN EN 62561-1
Packing unit	20 units