

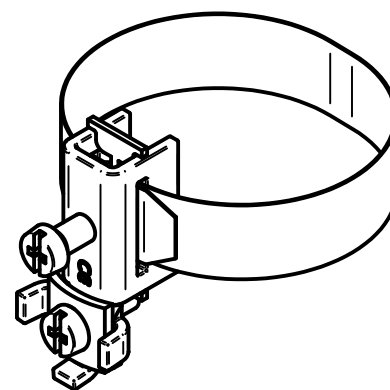
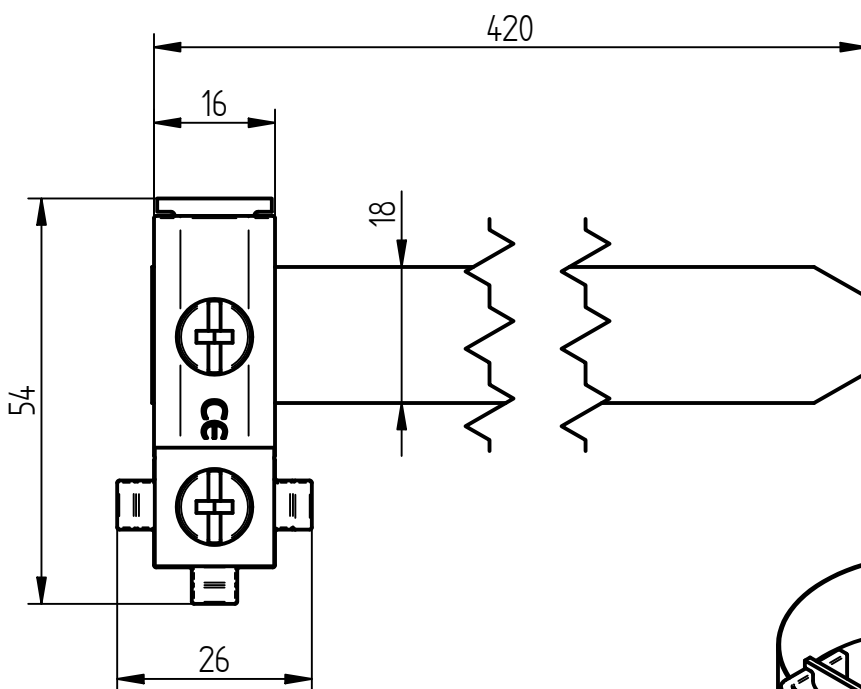
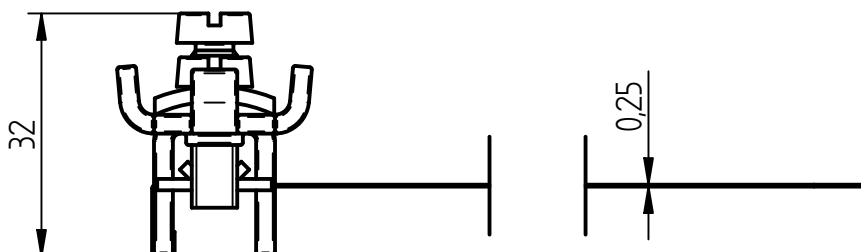
Product Specification

Ord.-No.: **111 440 / E0683786**



Specification: Earthing pipe clamp, St/tZn, 1/8-4 inch (Ø 9.7 - 114.3mm), conductor 2,5 - 16mm²

Performance: Earthing pipe clamp according to VDE 0100 for steel and copper pipes.



Material of clamp	St/gal. Zn
Material of tensioning strap	Bronze/Zn-plated
Fit	1/8 - 4 inch
Diameter of fit	Ø 9,7 - 114,3 mm
Cross-section of connecting conductor	2,5 - 16 mm ²
Screws	[2x] Cylinder head screw M6, St/gal Zn
Weight	73 g
Standard reference	DIN EN 62561-1
Packing unit	25 units