

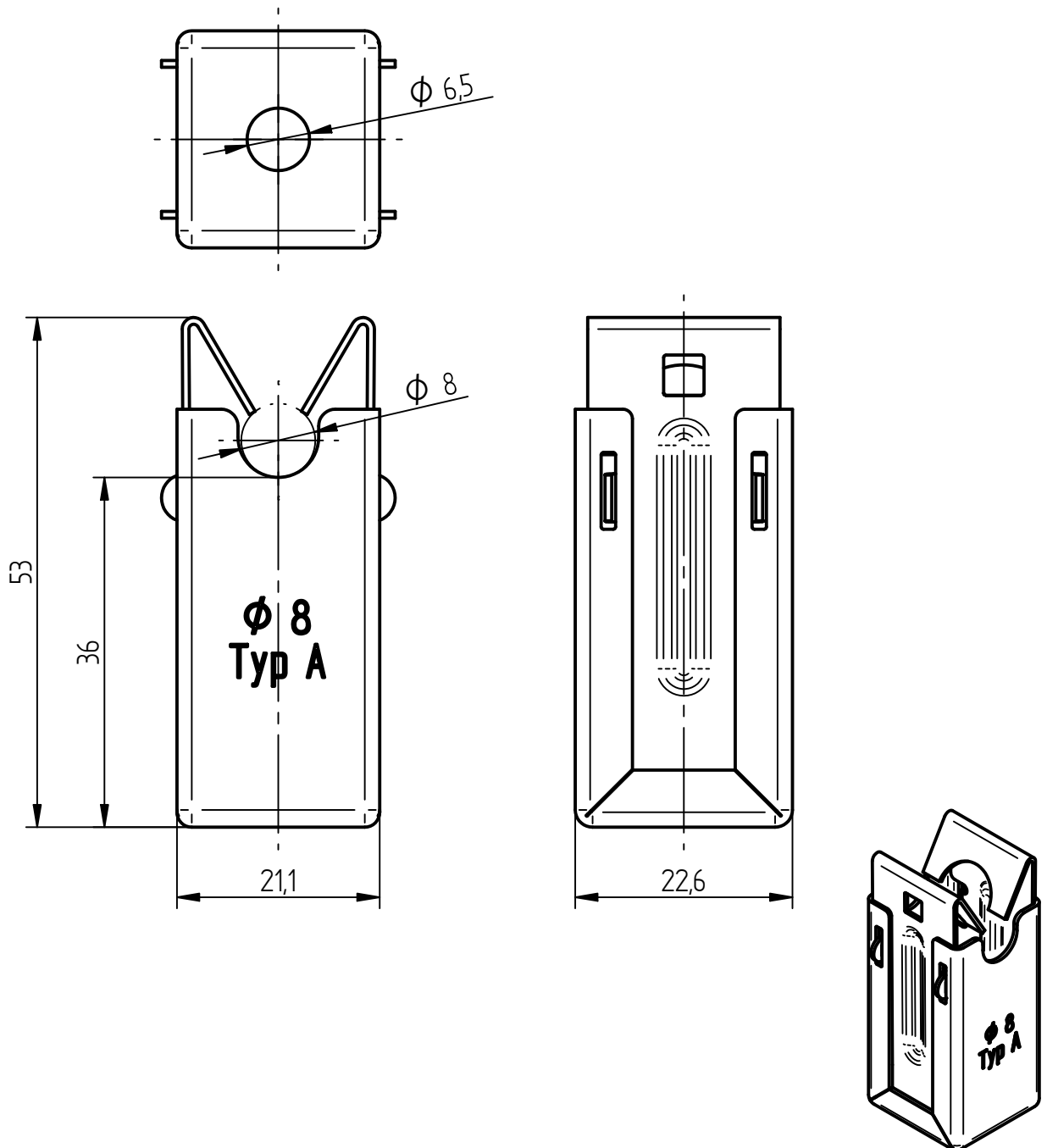
Product Specification

Ord.-No.: **111 501 / E0683556**



Specification: Niro-Clip conductor fastener, V2A, Ø 8mm type A, tall version, with Ø 6.5 mm bore

Performance: Niro-Clip conductor fastener according to DIN EN 62561-4 for fixing round conductors to walls.



Material of conductor fastener	Stainless steel V2A
Height of conductor leading	36 mm
Fit of conductor fastener	Ø 8 mm
Conductor leading	fixed, type A
Fixing of conductor fastener	Ø 6.5 mm
Weight	33 g
Standard reference	DIN EN 62561-4
Packing unit	100 units