

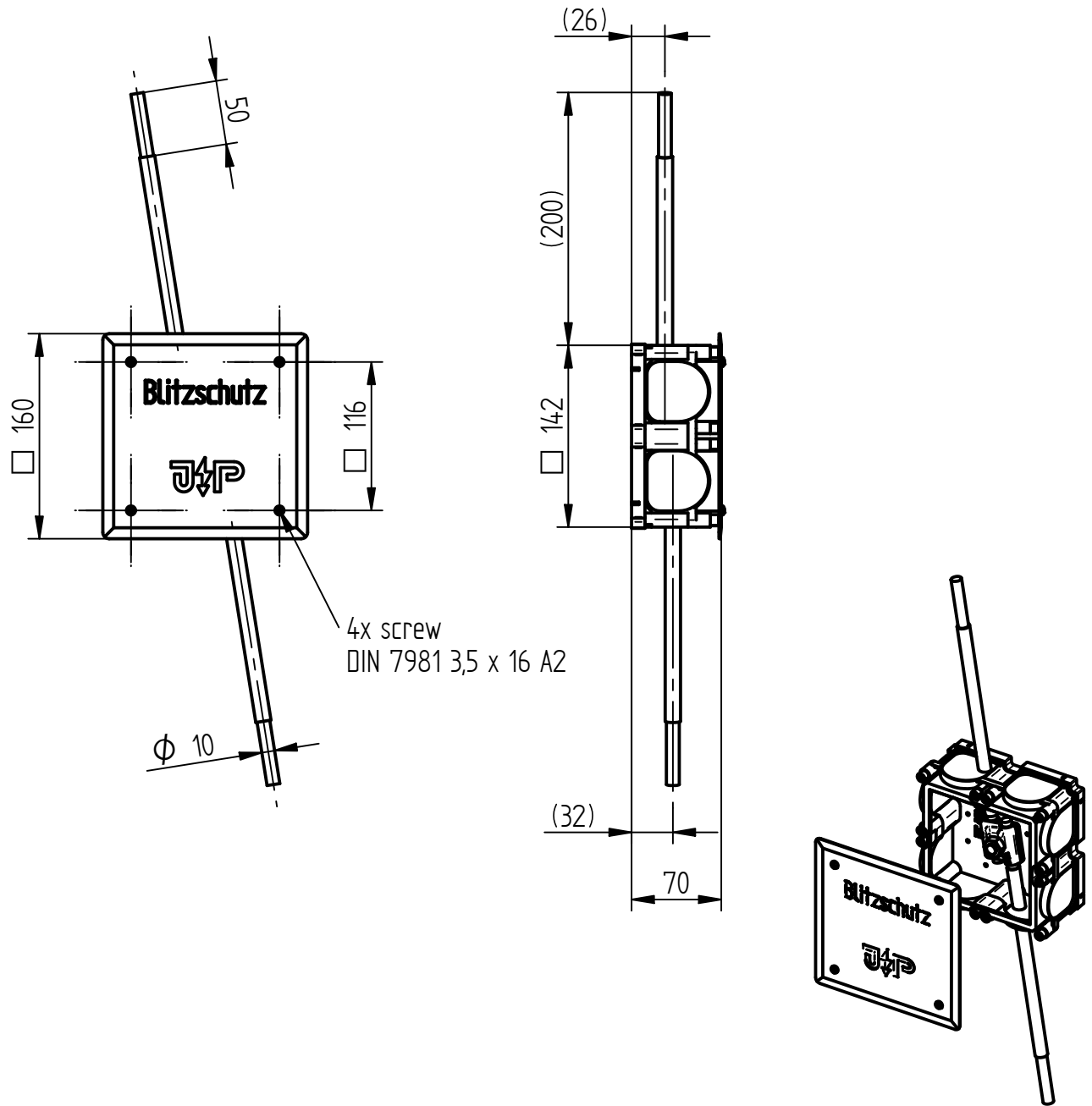
Product Specification

Ord.-No.: 111 580 / E0680177



Specification: Test joint box, plastic with integrated test joint

Performance: Test joint box to be used for flush-mounted fitting and installation in concrete with integrated test joint according to DIN EN 62561-1 and flexible connection cable.



Material of box	plastic
Material of cover	stainless steel V2A
Material of conn	St/tZn, insulated
Total length of connection cable	300 mm
Outer diameter of connection cable	10 mm
Dimensions of box	142 x 142 x 70 mm
Standard reference	DIN EN 62561-1
Packing unit	1 unit