

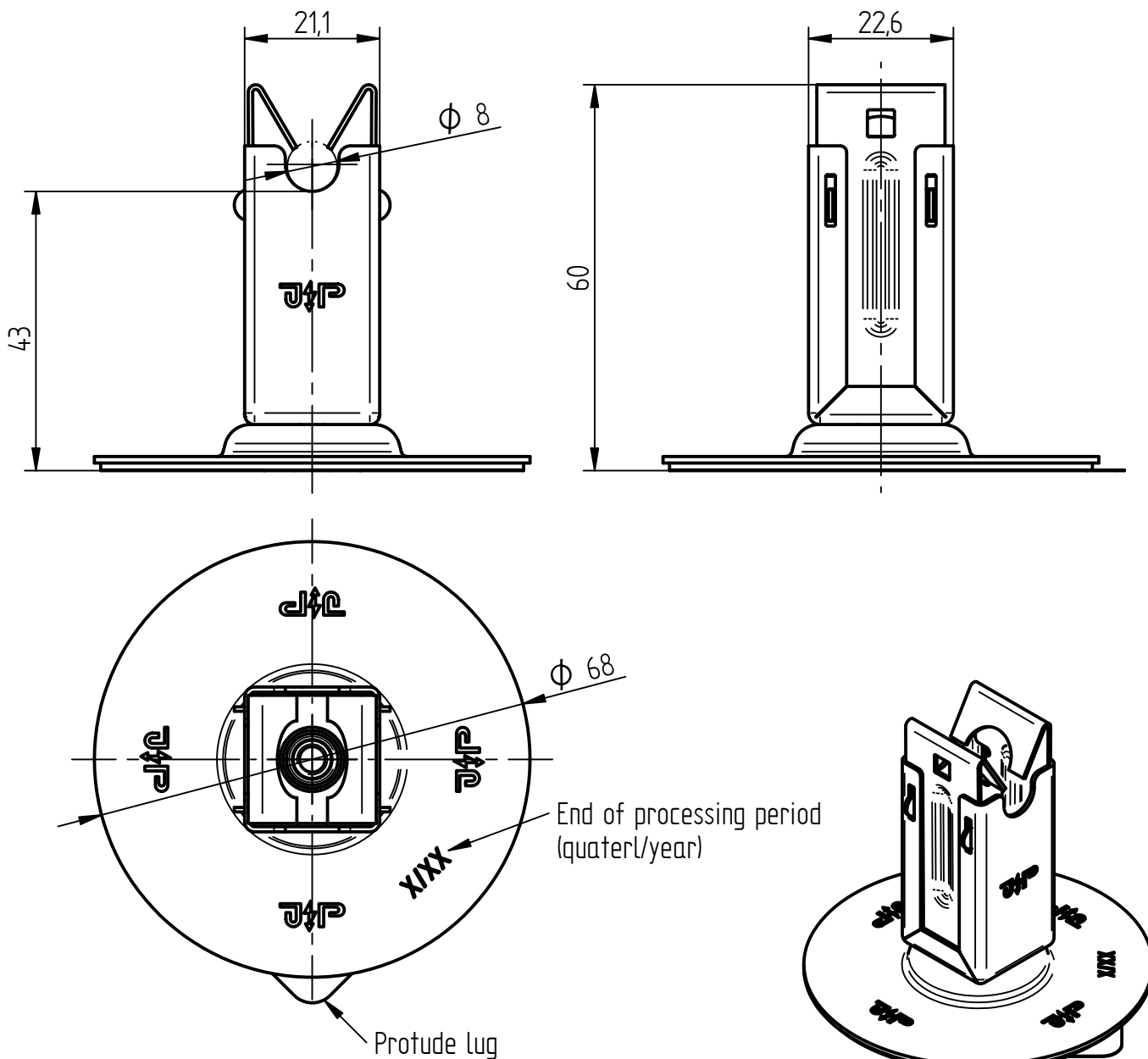
Product Specification

Ord.-No.: 111 631 / E0680494



Specification: Roof conductor holder, V2A-Alu, Ø 8 mm, type I with adhesive pad, height of conductor leading 43 mm

Performance: Roof conductor holder according to DIN EN 62561-4 for installing round conductors to metal roofs and metal surfaces. Type with Niro-Clip conductor fastener and adhesive pad.



The adhesive area on the smooth surface should be thoroughly cleaned before applying the support for example with isopropylalcohol! Processing temperature +15 to +25°C!
Other important information is given in the installation instructions.

| | |
|--------------------------------|---------------------|
| Material of conductor fastener | stainless steel V2A |
| Material of base | aluminium |
| Dimensions of base | Ø 68 mm |
| Height of conductor leading | 43 mm |
| Fit of conductor fastener | Ø 8 mm |
| Conductor leading | loose, type B |
| Weight | 51 g |
| Standard reference | DIN EN 62561-4 |
| Packing unit | 50 units |