

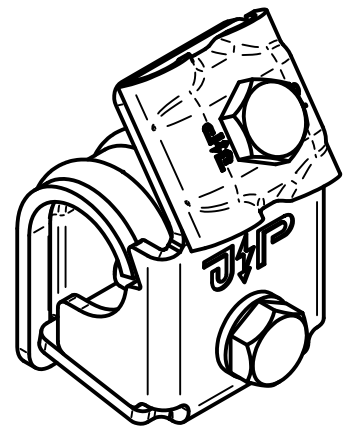
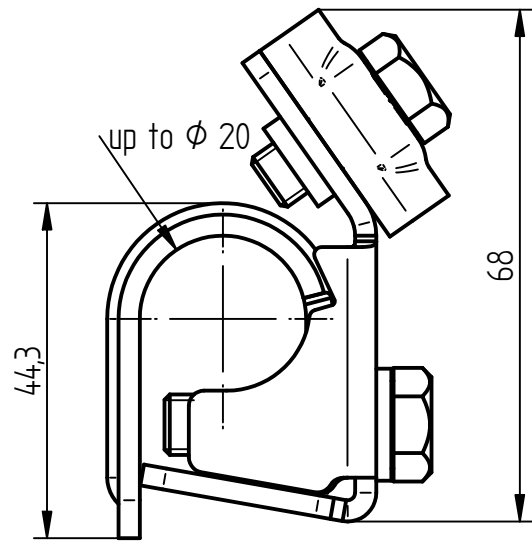
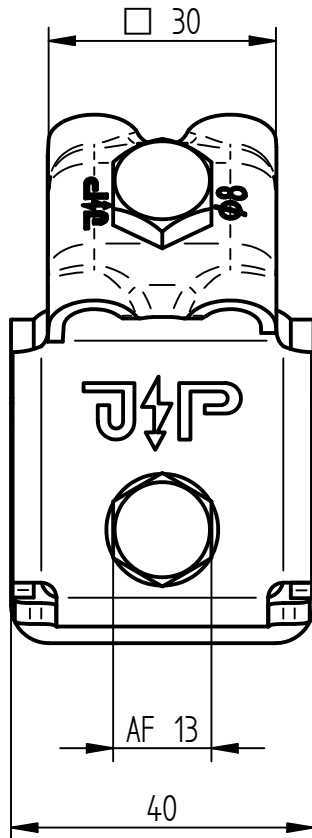
Product Specification

Ord.-No.: 111 672 / E0683659



Specification: Gutter clamp IDEAL, Cu, Ø 6-8 mm for bead thicknesses up to Ø 20 mm

Performance: Gutter clamp IDEAL according to DIN EN 62561-1 for the secure connection to gutters.



Material of clamp	cooper
Fit	Ø 6-8 mm
Bead thicknesses	up to Ø 20 mm
Screws	[2x] Hexagon bolt M8, stainless steel V2A/cooper plated
Spring lock washer	stainless steel V2A
Weight	221 g
Standard reference	DIN EN 62561-1
Packing unit	25 units