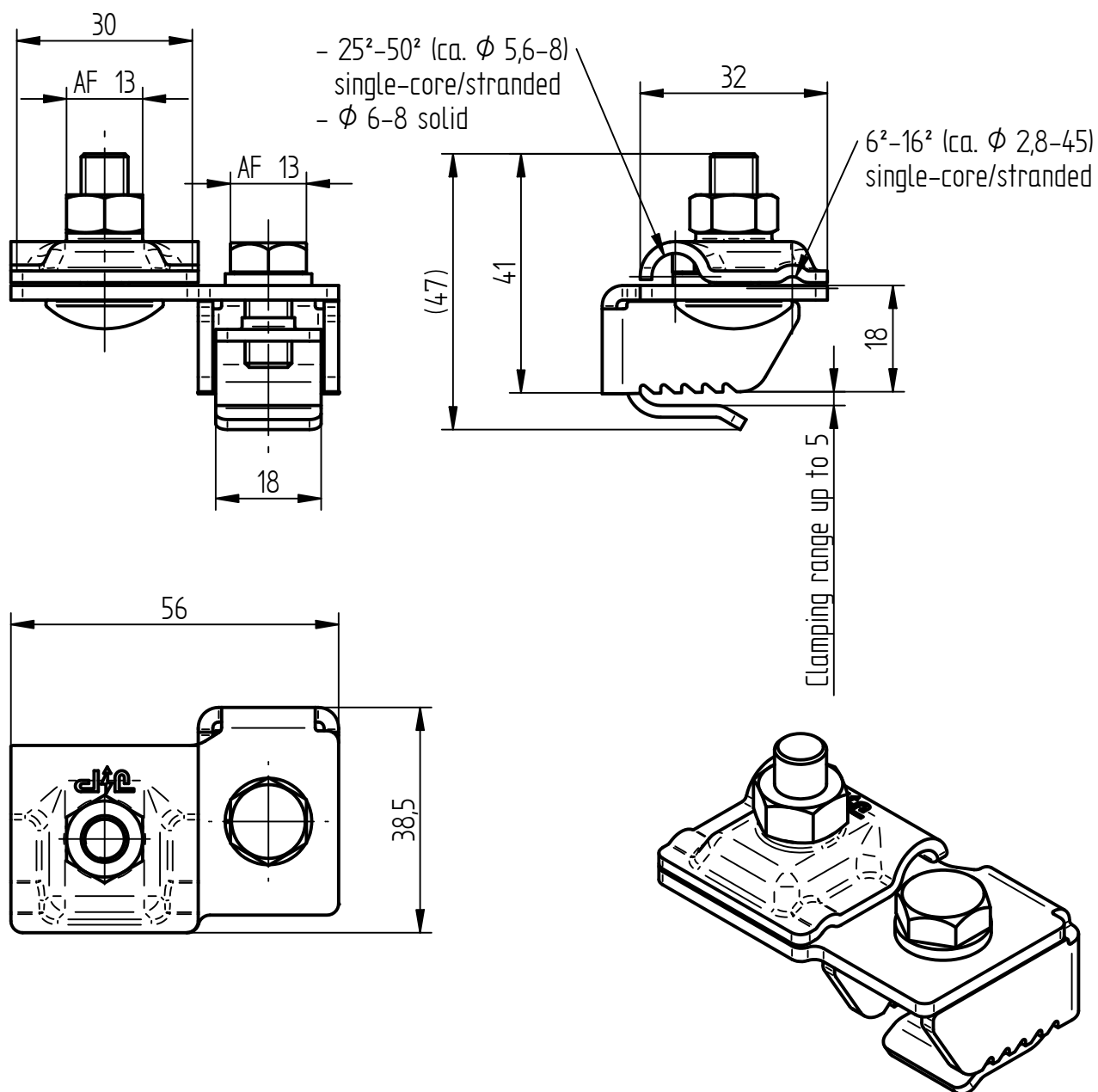


Ord.-No.: **111 863 E0680592**



Specification: Cable tray clamp V2A
mit Multi-Mini-connection 6-50 mm²

Performance: Cable tray clamp according to EN IEC 62561-1 for fixing cable trays.
Type with Multi-Mini-connection.



Material of clamp	Stainless steel V2A
Clamping range	up to 5 mm
Fit of Multi-Mini (single-core-/stranded)	6-50 mm ² (Ø 2,8-8 mm)
Fit of Multi-Mini (solid)	Ø 6-8 mm
Screw of Multi-Mini	Carriage bolt M8 with nut, stainless steel V2A
Screw of cable tray clamp	Hexagon bolt M8 with spring lock washer, stainless steel V2A
Weight	121 g
Standard reference	EN IEC 62561-1
Customs tariff number (Comb. Nomenclature EU)	85389099
EAN-Code	4059273254067
Packing unit	50 units