

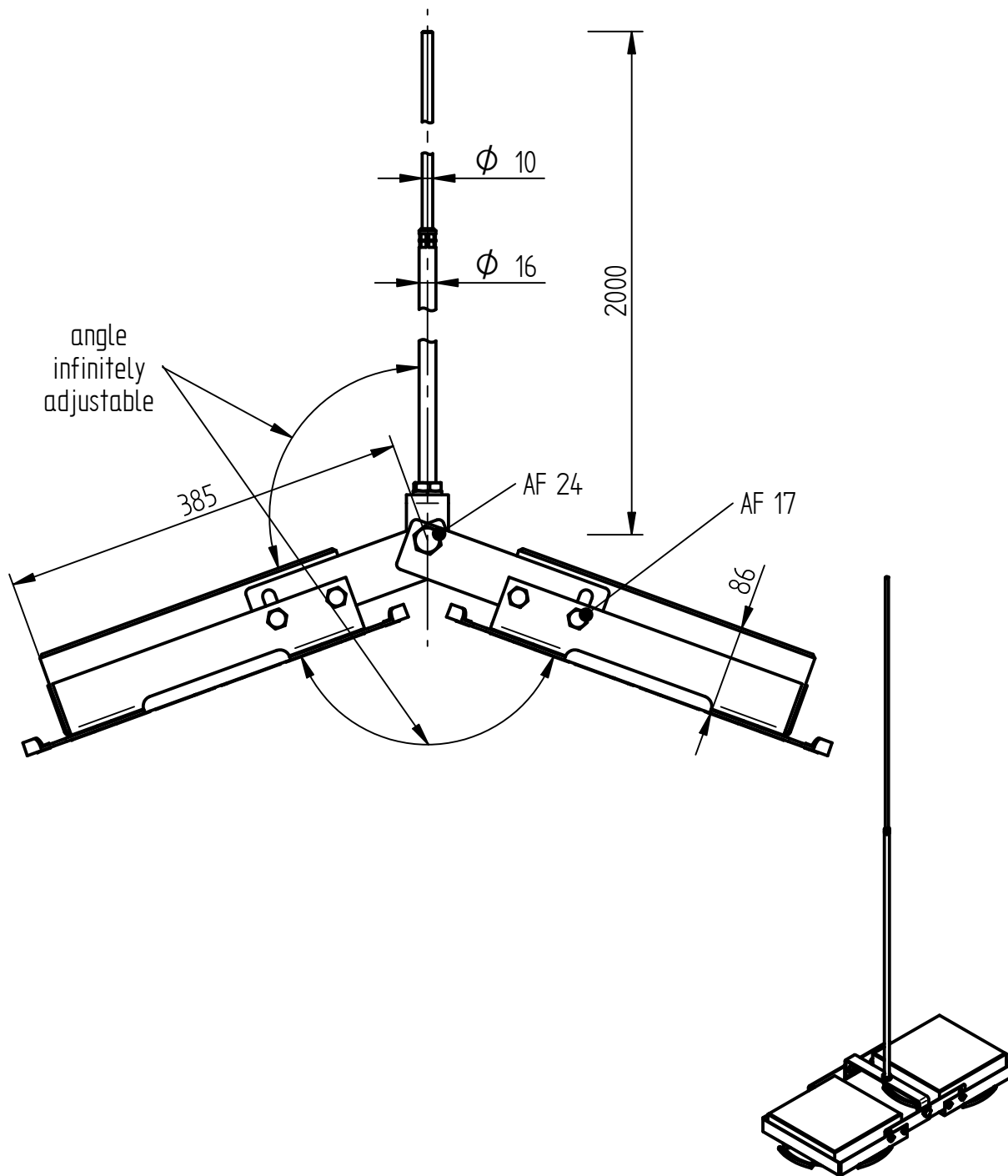
Product Specification

Ord.-No.: 1259 /0680265



Specification: Rod holder (type B), V2A, for ridge area air-termination rod, Alu, Ø16/10mm, 2.0m

Performance: Air-termination rod holder with air-termination rod for the ridge area. Infinitely adjustable for adapting to the roof inclination.



Material of holder	stainless steel V2A
Air-termination rod	Ø 16/10 mm (2000 mm length)
Specification	Type B (adjustable tilting of the air-termination rod)
Weight	39,9 kg
Standard reference	DIN EN 62561-2
Packing unit	1 unit