

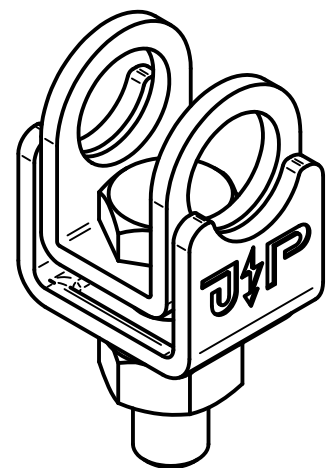
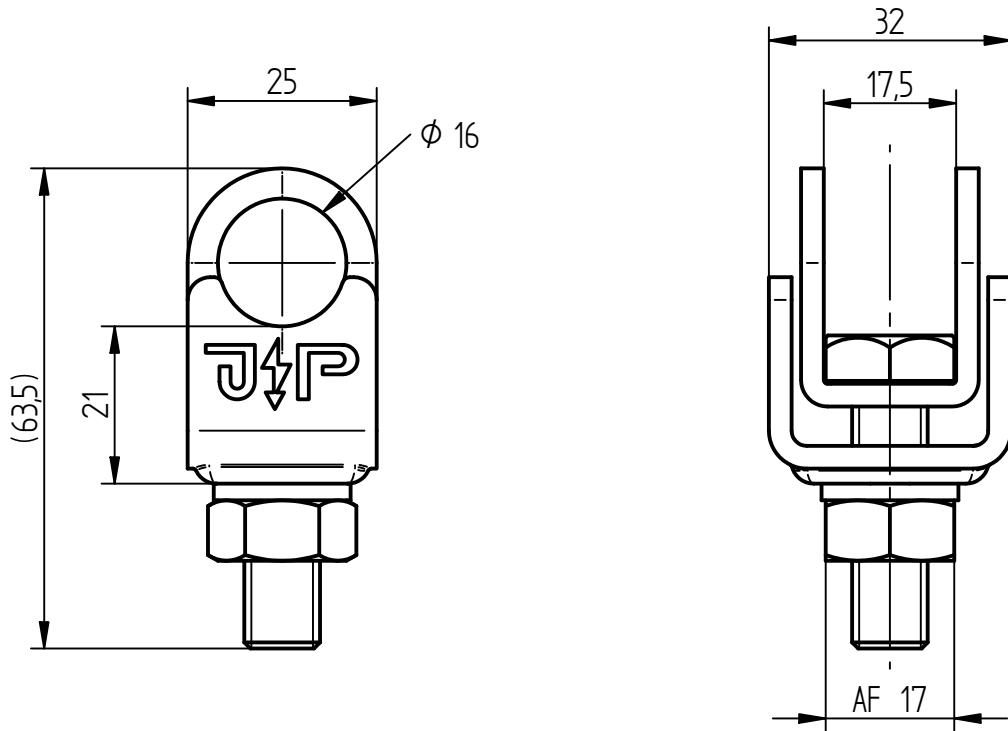
Product Specification

Ord.-No.: 1460 / E0683594

Specification: CC-clamp, V2A, Ø 16 mm type A



Performance: CC-Clamping System according to DIN EN 62561-1 to be used for the connection of air-termination rods or earth lead-in rods to clamps, pipe clamps or steel constructions.



Suitable for the connection in explosive atmospheres in zones 2/22.
The clamp is secured against self-loosening by a spring washer according to DIN EN 62305-3 Supplement 2.

Material	Stainless steel V2A
Fit	Ø 16 mm, type A
Screw	Hexagon bolt M10 with nut and spring lock washer, stainless steel V2A
Weight	110 g
Standard reference	DIN EN 62561-1
Packing unit	50 units