

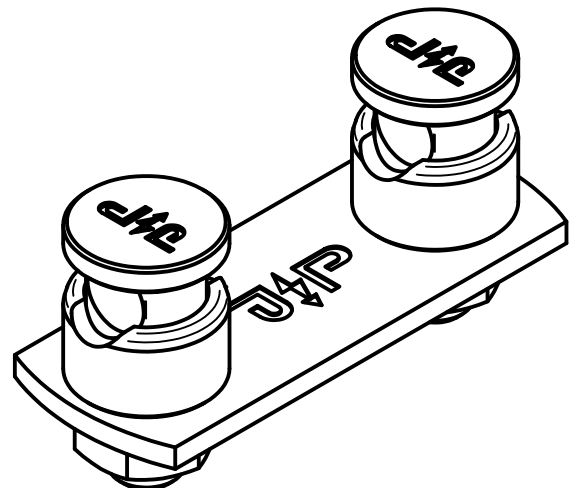
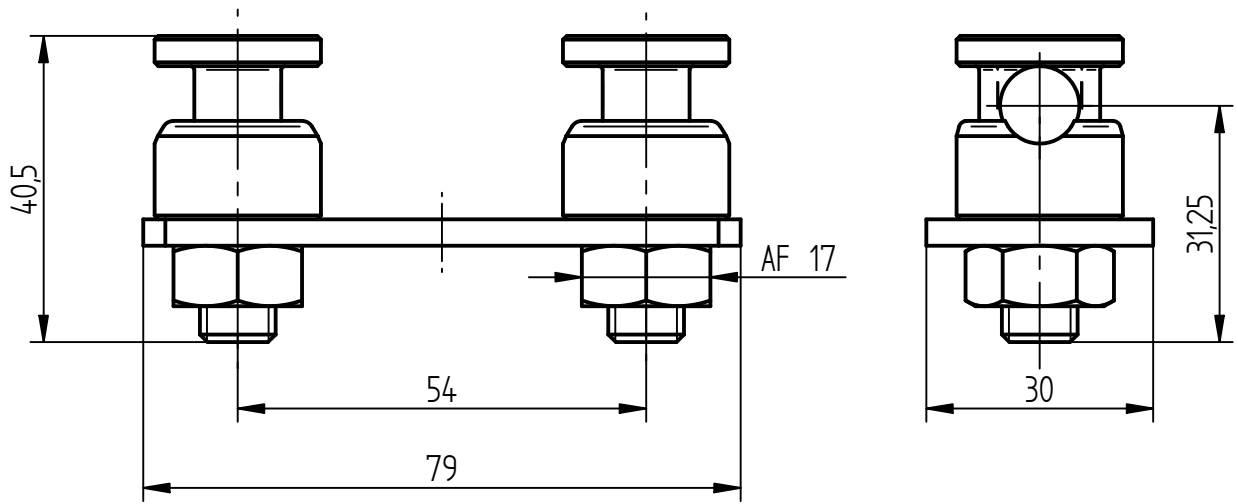
# Product Specification

**Ord.-No.:** 2000 / E0683772

**Specification:** KS-Connector, V2A, Ø 6-10 mm double



**Performance:** KS-Connector, double according to DIN EN 62561-1 to be used for the connection to round conductors.



Material	Stainless steel V2A
KS-Screw	Clamping screw M10 with nut, stainless steel V2A
Fit	[2x] Ø 6-10 mm
Weight	174 g
Standard reference	DIN EN 62561-1
Packing unit	50 units