

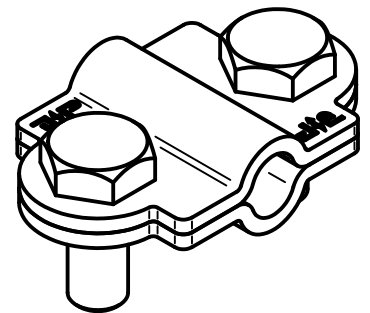
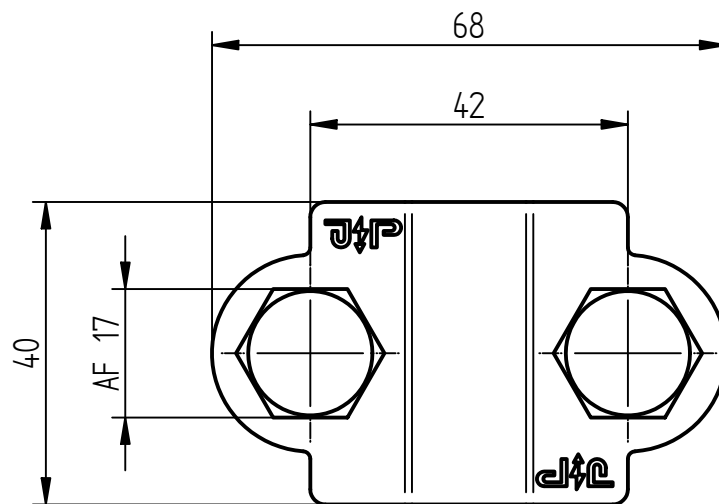
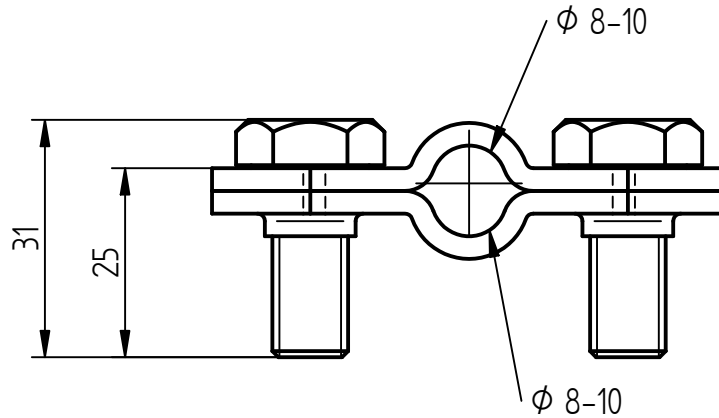
Product Specification

Ord.-No.: 2016 / E0683743



Specification: Vario-Disconnecting clamp, V2A
two-part, round/round, Ø 8-10mm/Ø 8-10mm

Performance: Disconnecting clamp -Vario- according to DIN EN 62561-1 for test joints.



Material of clamp	Stainless steel V2A
Type of clamp	two-part, round/round
Fit	Ø 8-10 mm/Ø 8-10 mm
Screw	[2x] Hexagon bolt M10, Stainless steel V2A
Weight	147 g
Standard reference	DIN EN 62561-1
Packing unit	50 units