

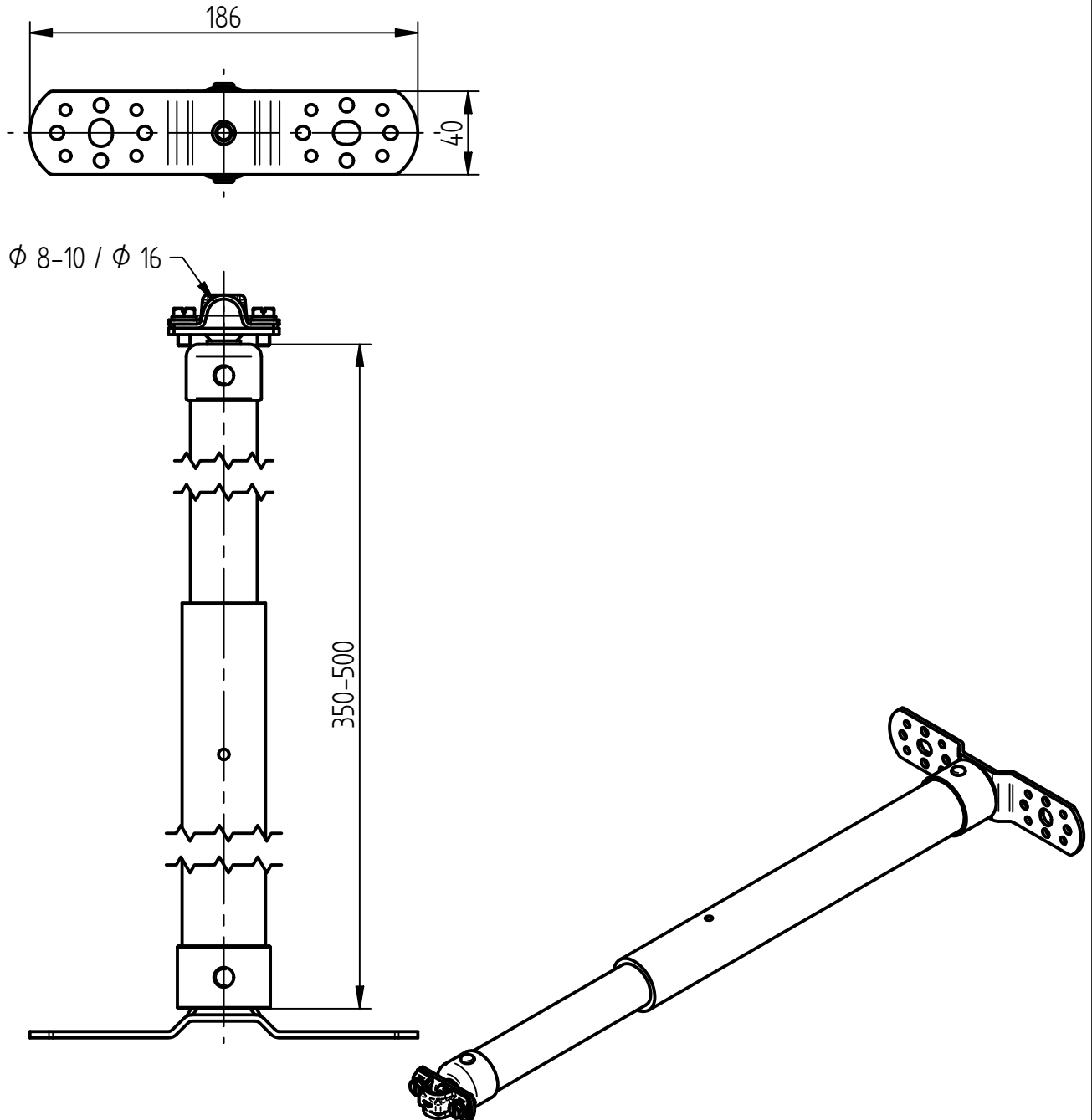
Product Specification

Ord.-No.: **490 433 S / E0683562**



Specification: Insulated stand-off, GRP, 350-500 mm with mounting plate

Performance: Insulated stand-off, infinitely adjustable with mounting plate and clamping component for air-termination rod or down conductor.



Insulated stand-off	Glass fibre reinforced plastic (GRP), Ø 32/40 mm
Stand-off length	350-500 mm (adjustable)
ISO-length	250-400 mm (adjustable)
Mounting plate	Stainless steel V2A
Mounting plate dimensions (length x width x thickness)	185 x 40 x 3 mm
Hole pattern of mounting plate	[2x] elongated hole Ø 11 x 13 mm, [8x] Ø 6.5 mm, [8x] Ø 5.4 mm
Clamping component	Aluminium-stainless steel V2A, Ø 8-10 conductor connection/Ø 16 mm air-termination rod connection
Weight	ca. 1,0 kg
Standard reference	DIN IEC/TS 62561-8
Packing unit	1 unit