

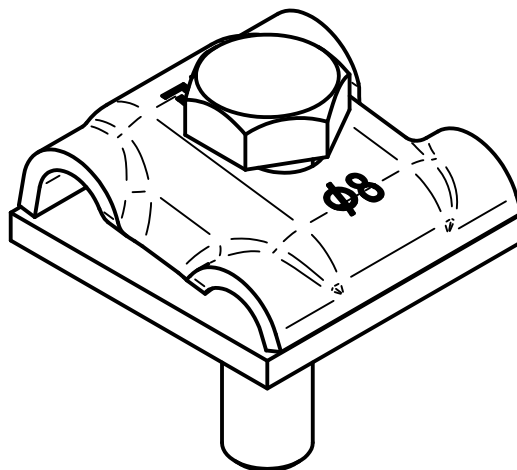
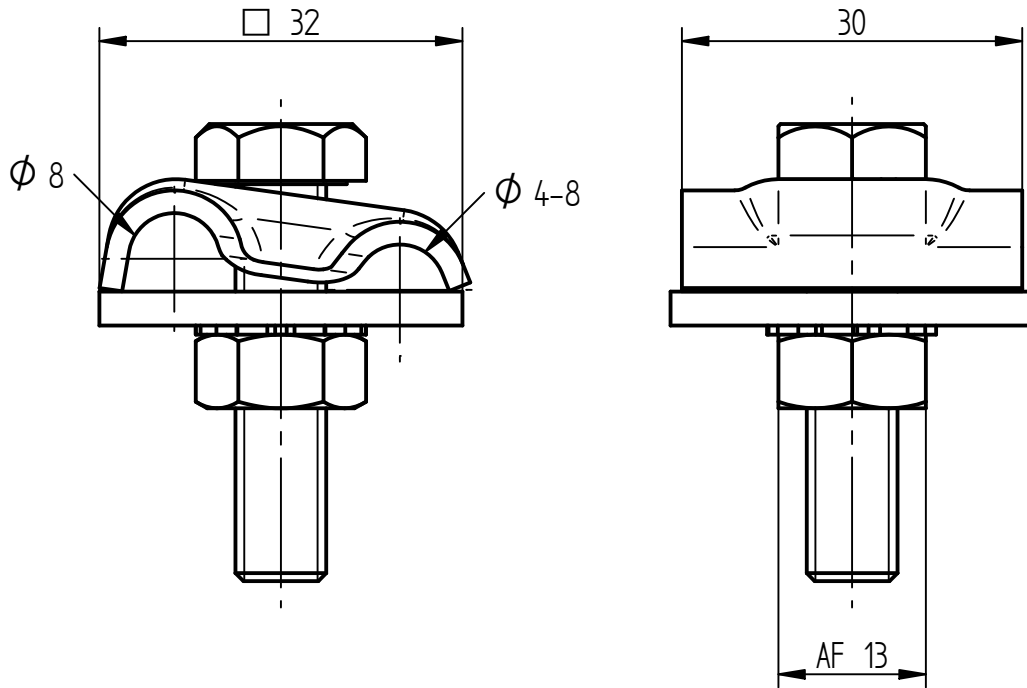
Product Specification

Ord.-No.: **917 533 S / E0683669**



Specification: Double terminal and connecting clamp V2A,
Ø 4-8 mm

Performance: Double terminal and connecting clamp according to DIN EN 62561-1 with base for one or two round conductor.



Material	Stainless steel V2A
Base (length x width x thickness)	32 x 32 x 3 mm
Fit	Ø 4-8 mm
Screw	Hexagon bolt M8 with nut, stainless steel V2A
Annular gear	Stainless steel V2A
Weight	57 g
Standard reference	DIN EN 62561-1
Packing unit	100 unit