

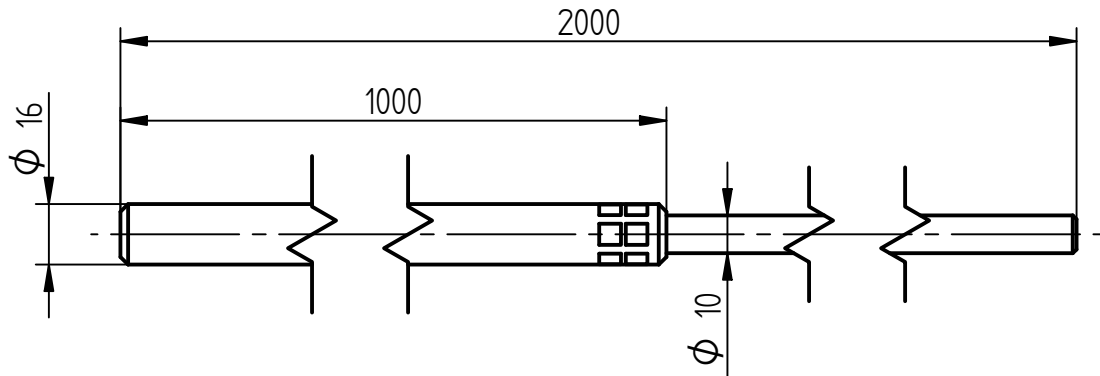
# Product Specification

**Ord.-No.:** **103 181 / E0683584**



**Specification:** Optimal air-termination rod, Alu  
Ø 16/10 mm, 2.0 m, without thread

**Performance:** Optimal air-termination rod according to DIN EN 62561-2 for the protection of roof structures. Type suitable for concrete bases with J.Pröpster-wedge technology.



Please select the suitable concrete base according to your conditions using the "Selection guide for air-termination rods" in the "Air termination systems" chapter of our current general catalog.

Material	Aluminium AlMgSi 0.5
Total Length	2.000 mm
Diameter	16/10 mm (Ø 10 mm, 1000 mm length)
Weight	748 g
Standard reference	DIN EN 62561-2
Packing unit	10 units