

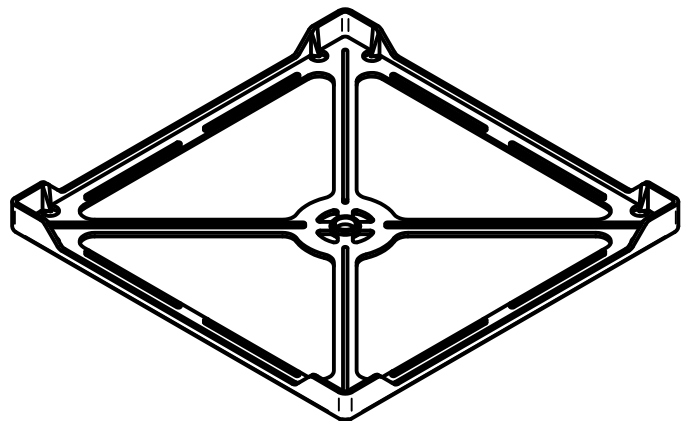
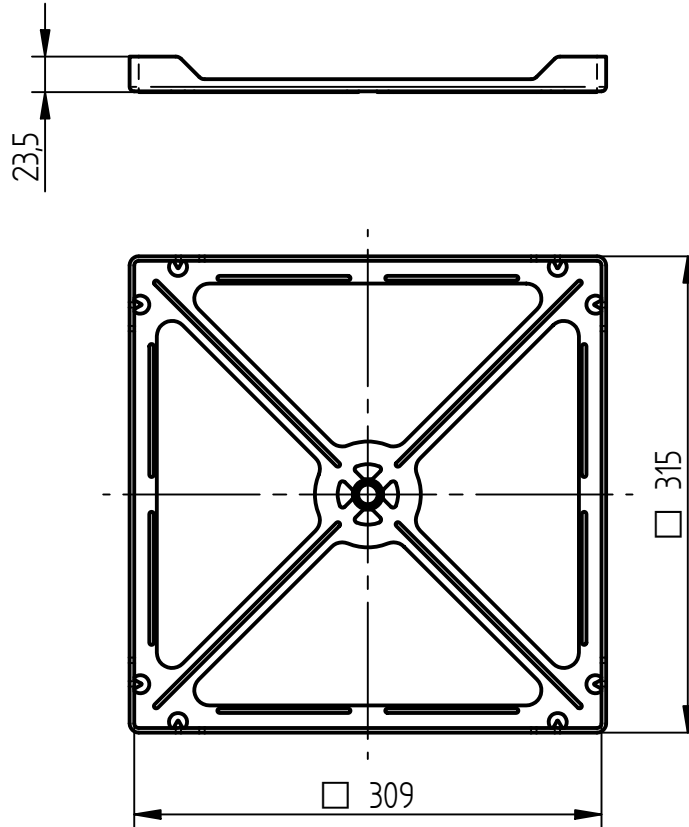
Product Specification

Ord.-No.: 103 188 / E0683580



Specification: Support plate for concrete base, plastic black, 300x300 mm

Performance: Support plate for concrete base (wedge technology) to protect the synthetic roofing membranes.



The support plate for concrete base is urgently necessary on synthetic roofing membranes.

Material	PE-EVA, black, without plasticizer
Slot	300x300 mm
Properties	Neutral to all conventional synthetic roofing membranes
Weight	133 g
Packing unit	1 unit