

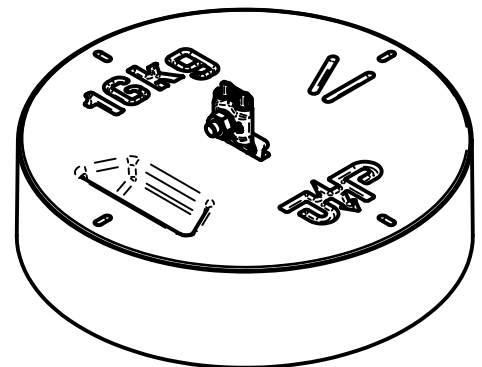
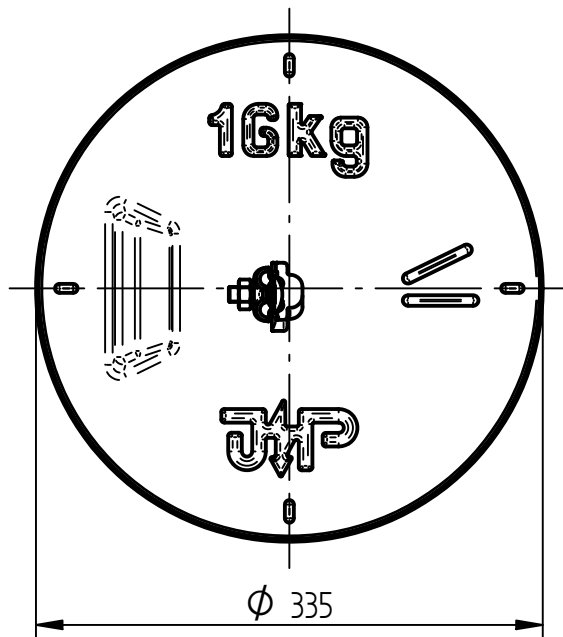
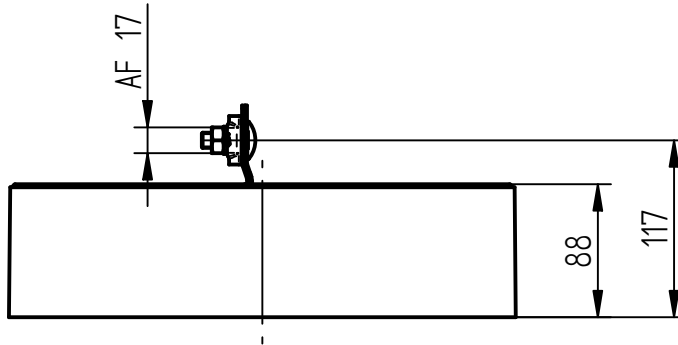
Product Specification

Ord.-No.: 103 191 / E 0683581



Specification: Concrete base, 16 kg, Ø 335 mm with wedge connection clamp, V2A

Performance: Concrete base with J.Pröpster-wedge technology (wedge connection clamp) to protect roof structures on flat roofs for Optimal air-termination rods Ø 16/10 mm (without thread) or tubular air-termination rods Ø 16x3/10mm (without thread).



On synthetic roofing membranes a support plate for concrete bases is necessary.

| | |
|------------------------|------------------------------|
| Material | frostproof concrete (C45/55) |
| Necessary set-up area | Ø 335 mm |
| Wedge connection clamp | Stainless steel V2A |
| Weight | 16 kg |
| Standard reference | DIN EN 62561-1 |
| Packing unit | 1 unit |