

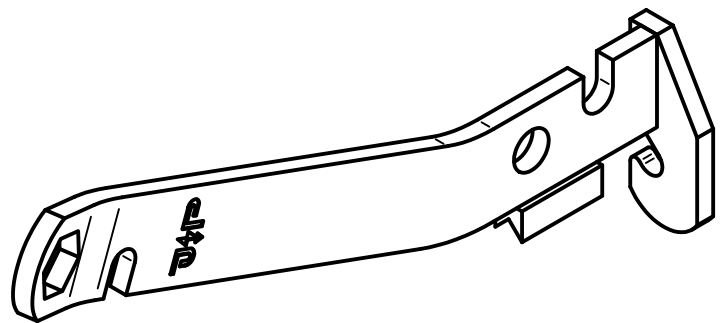
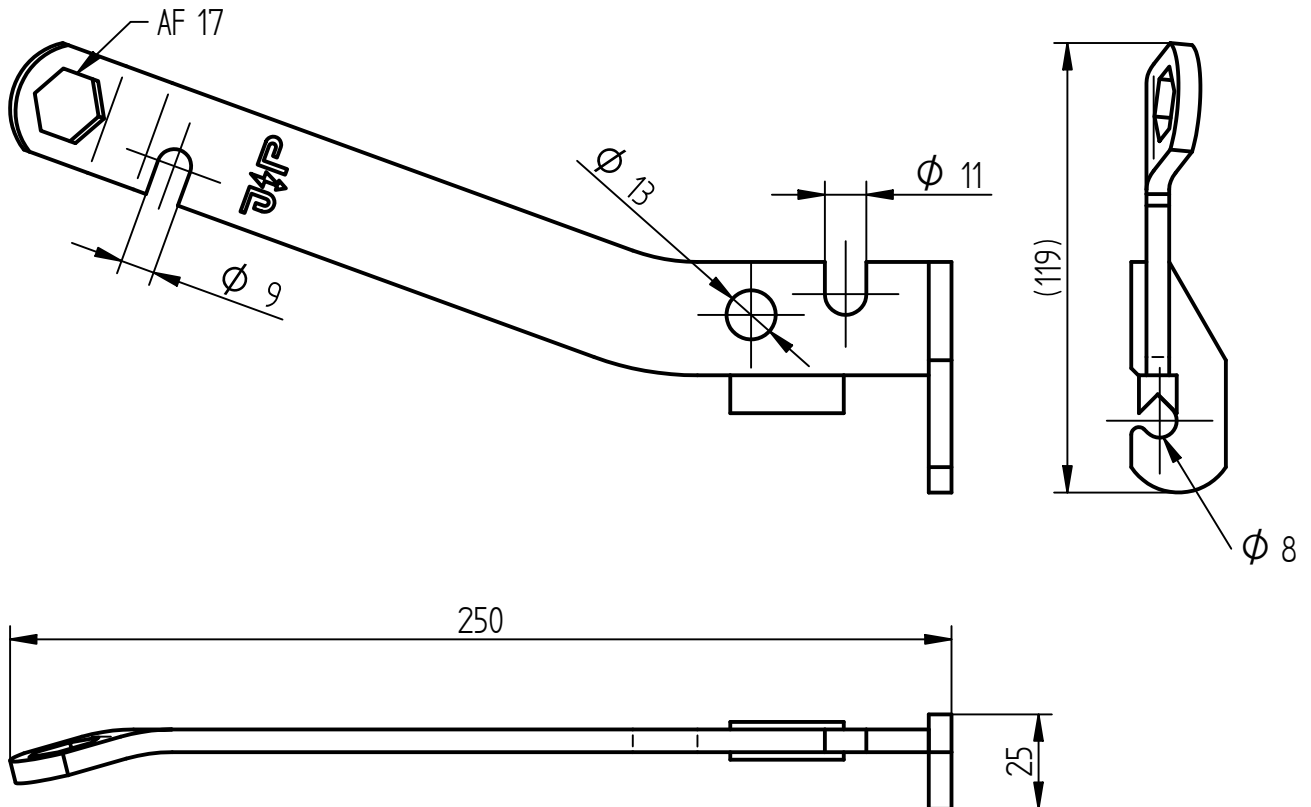
# Product Specification

**Ord.-No.:** 1049 / E0683604



**Specification:** Manual straightening and bending tool for wire Ø 8 mm, St/tZn, 250 mm length

**Performance:** Manual straightening and bending tool to be used for round wires Ø 8 mm. Tool to be used to unclip round wires Ø 8 mm from JP/Niro-Clip fastener and holder. Type with additional ring spanner, wrench size 17 mm.



|              |          |
|--------------|----------|
| Material     | St/tZn   |
| Fit          | Ø 8 mm   |
| Wrench Size  | AF 17 mm |
| Length       | 250 mm   |
| Weight       | 390 g    |
| Packing unit | 1 unit   |