

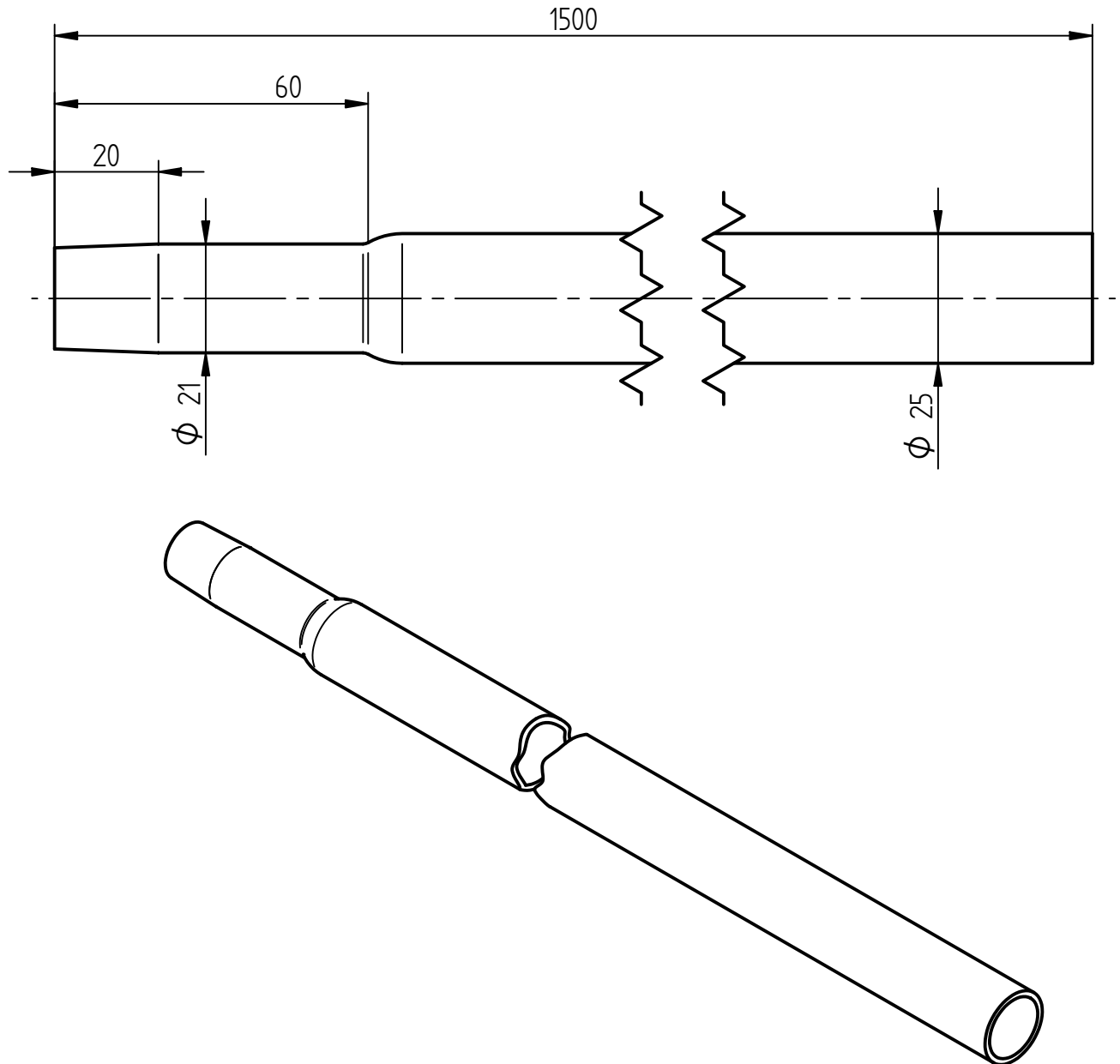
# Product Specification

**Ord.-No.:** **110 018 / E0683776**



**Specification:** Tubular earth rod, V4A, Ø 25 mm, 1500 mm  
JP/type C

**Performance:** Tubular earth rod according to DIN EN 62561-2 to be used in earth termination systems.



Material	Stainless steel V4A
Length	1.500 mm
Diameter	Ø 25 mm
Coupling	JP/type C
Short-circuit current (50 Hz) : 1 s ; ≤ 300 °C	5,3 kA
Weight	ca. 1,7 kg
Standard reference	DIN EN 62561-2
Packing unit	10 units