

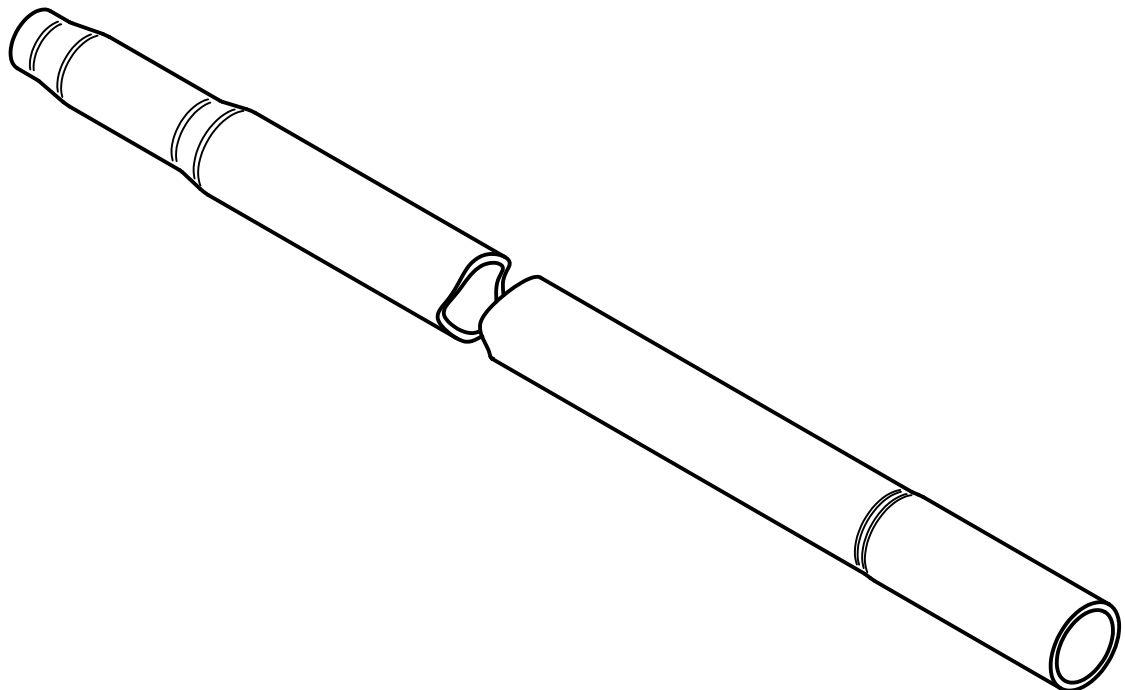
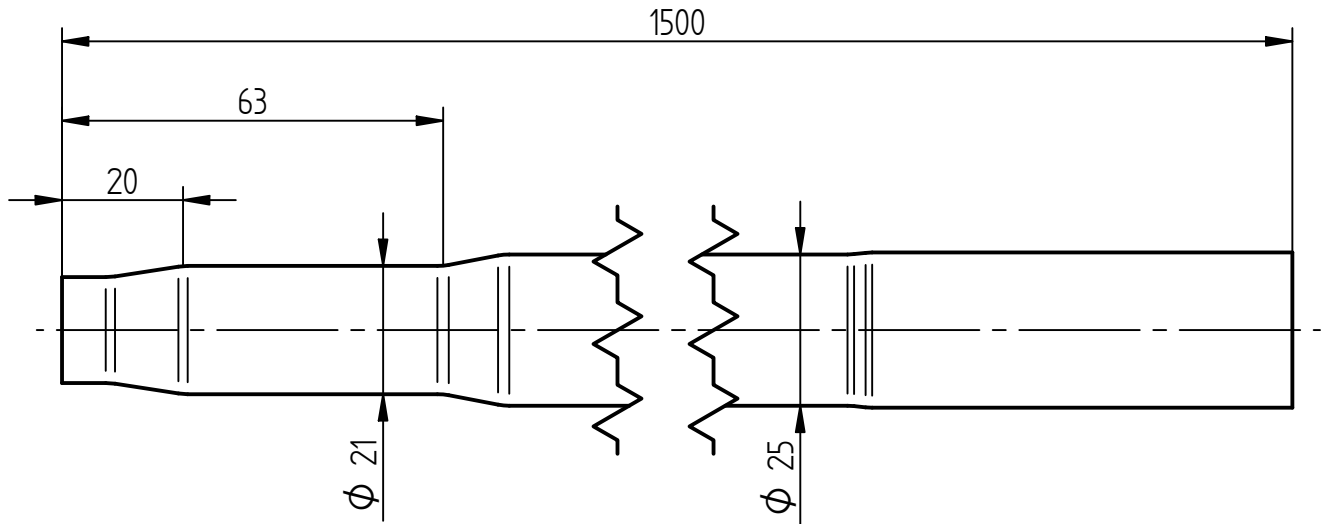
Product Specification

Ord.-No.: **110 021 / E0683636**



Specification: Tubular earth rod, St/tZn, Ø25mm, 1500mm
JP/type C

Performance: Tubular earth rod according to DIN EN 62561-2 to be used in earth termination systems.



Material	St/tZn
Length	1.500 mm
Diameter	Ø 25 mm
Coupling	JP/type C
Short-circuit current (50 Hz) : 1 s ; ≤ 300 °C	7,0 kA
Weight	ca. 2,0 kg
Standard reference	DIN EN 62561-2
Packing unit	10 units