

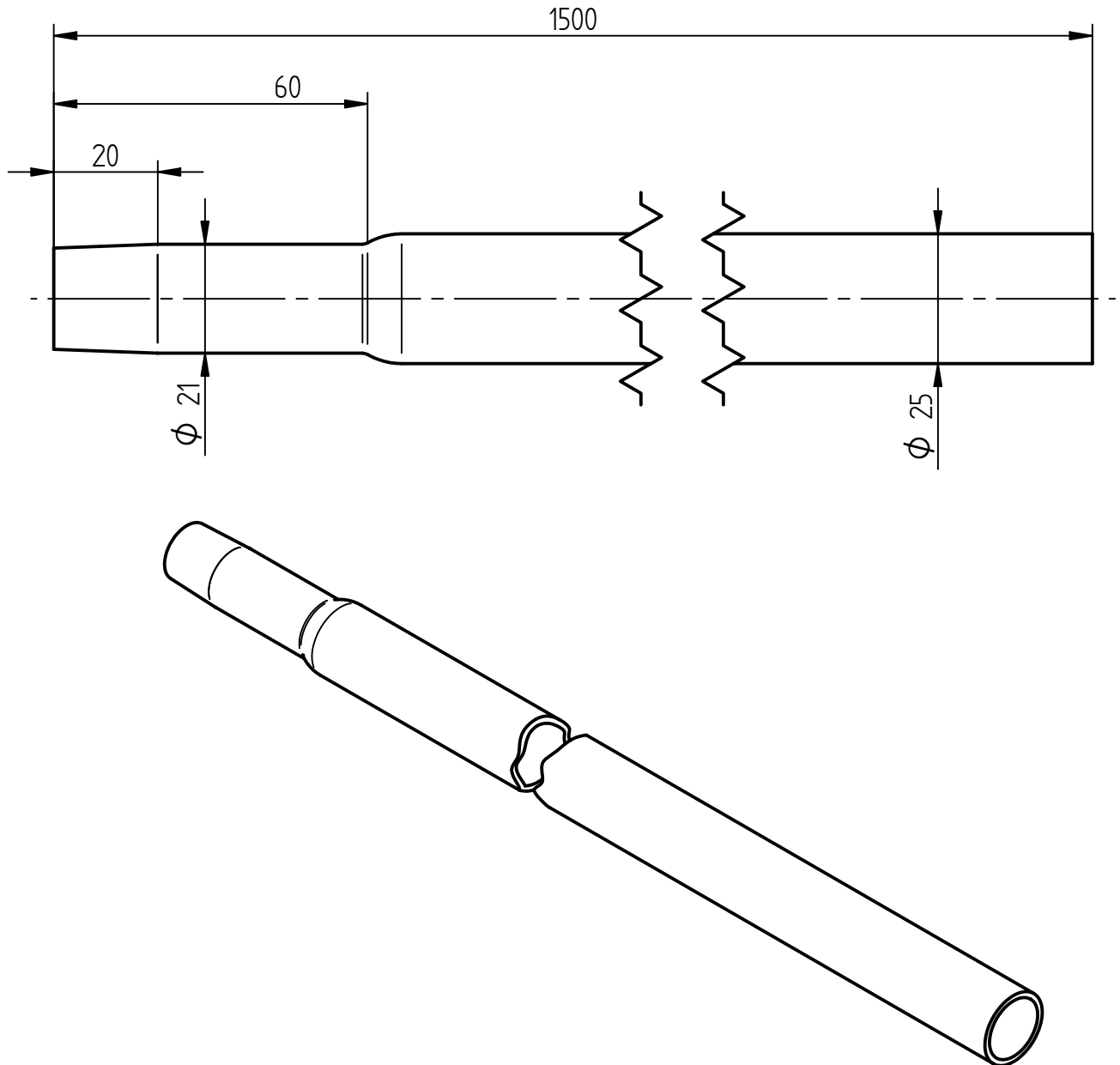
Product Specification

Ord.-No.: **110 026 / E0683637**



Specification: Tubular earth rod, V2A, Ø 25 mm, 1500 mm
JP/type C

Performance: Tubular earth rod according to DIN EN 62561-2 to be used in earth termination systems.



Material	Stainless steel V2A
Length	1.500 mm
Diameter	Ø 25 mm
Coupling	JP/type C
Short-circuit current (50 Hz) : 1 s ; ≤ 300 °C	5,3 kA
Weight	ca. 1,7 kg
Standard reference	DIN EN 62561-2
Packing unit	10 units