

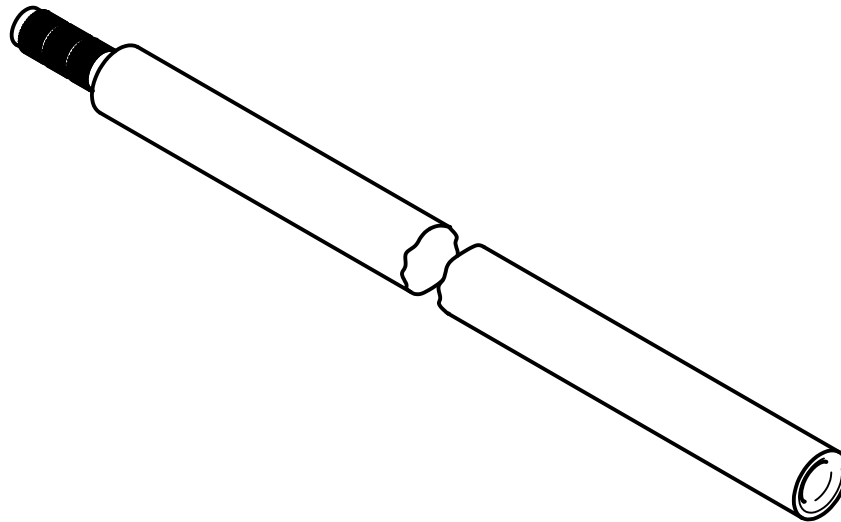
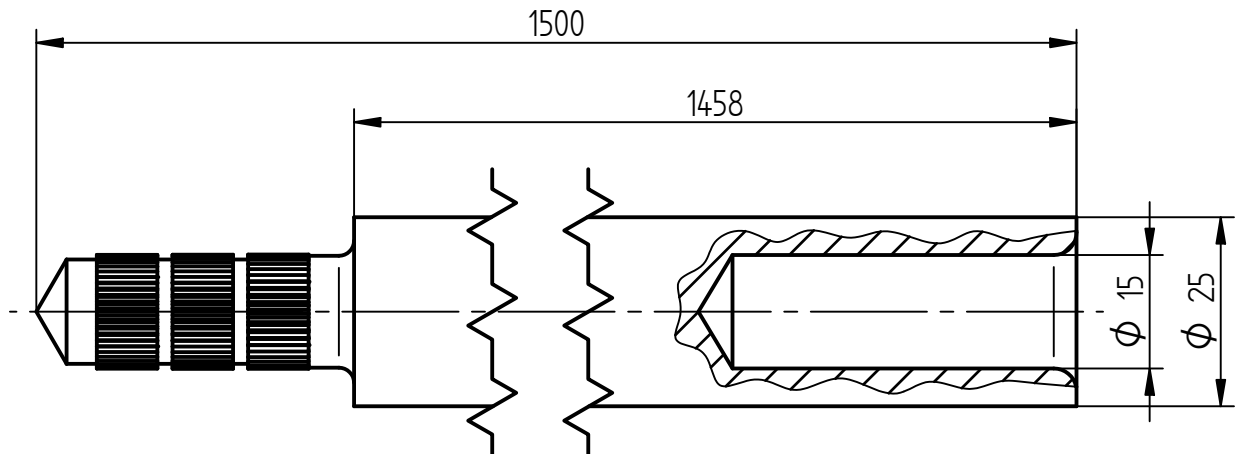
Product Specification

Ord.-No.: **110 027 / E0683638**



Specification: Earth rod, St/tZn, Ø 25 mm, 1500 mm JP/
type A, with triple knurling

Performance: Earth rod according to DIN EN 62561-2 to be used in
earth termination systems.



Material	St/tZn
Length	1.500 mm
Diameter	Ø 25 mm
Coupling	JP/type A, triple knurling
Short-circuit current (50 Hz), 1 s, ≤ 300 °C	12,3 kA
Weight	ca. 5,6 kg
Standard reference	DIN EN 62561-2
Packing unit	5 units