

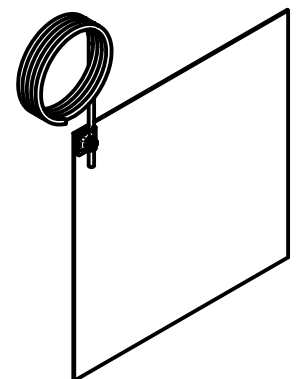
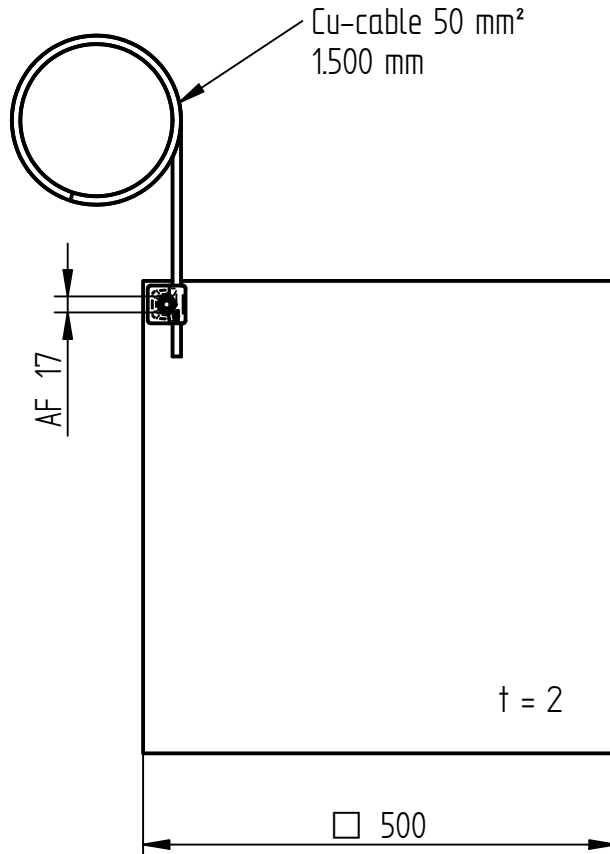
Product Specification

Ord.-No.: 110 130 / E0683587



Specification: Earth plate, Cu, 500 x 500 x 2 mm
cu-connection cable 50 mm², 1.5 m length

Performance: Earth plate according to DIN EN 62561-2 with connection cable.



Material of earth plate	Copper
Dimensions of earth plate	500 x 500 x 2 mm
Material of connection cable	Copper
Length of connection cable	1500 mm
Cross section of connection cable	50 mm ²
Weight	ca. 5,2 kg
Standard reference	DIN EN 62561-2
Packing unit	1 unit