

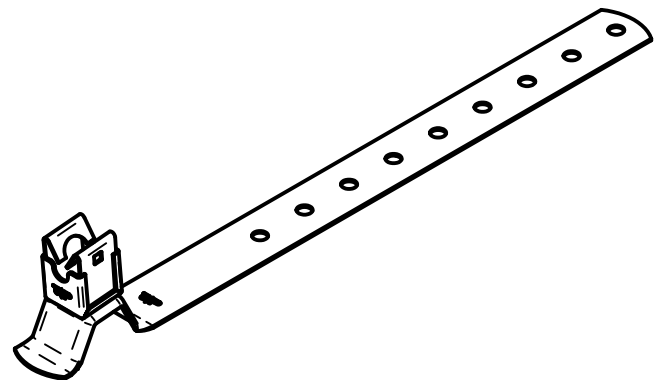
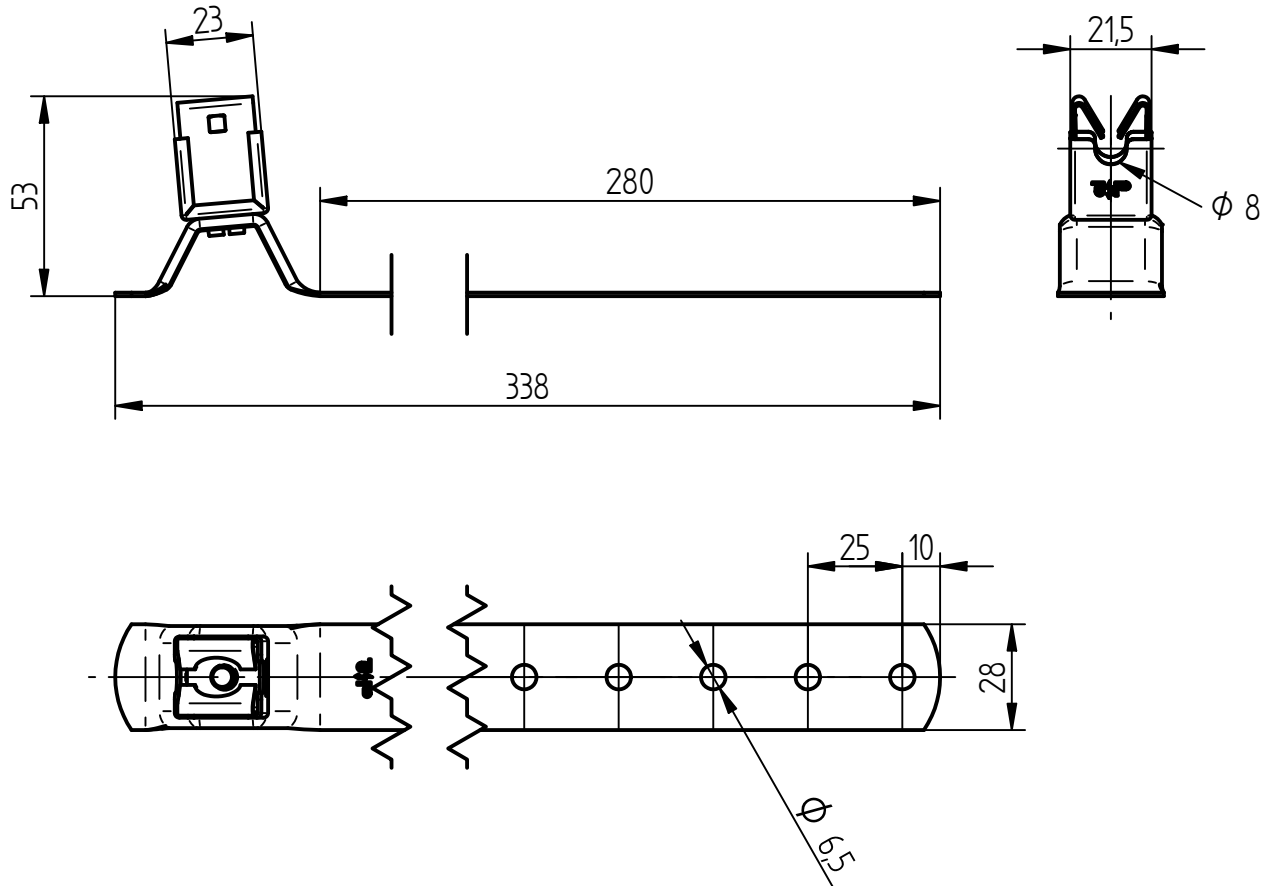
Product Specification

Ord.-No.: 111 015 / E0683643



Specification: Roof conductor holder, V2A, Ø 8mm type A for universal use, 280 mm length

Performance: Roof conductor holder according to DIN EN 62561-4 for universal use. Type with Niro-Clip conductor fastener.



Material of bottom part	Stainless steel V2A
Length	280 mm
Material of conductor fastener	Stainless steel V2A
Fit of conductor fastener	Ø 8 mm
Height of conductor leading	34,5 mm
Conductor leading	fixed, type A
Weight	94 g
Standard reference	DIN EN 62561-4
Packing unit	100 units