

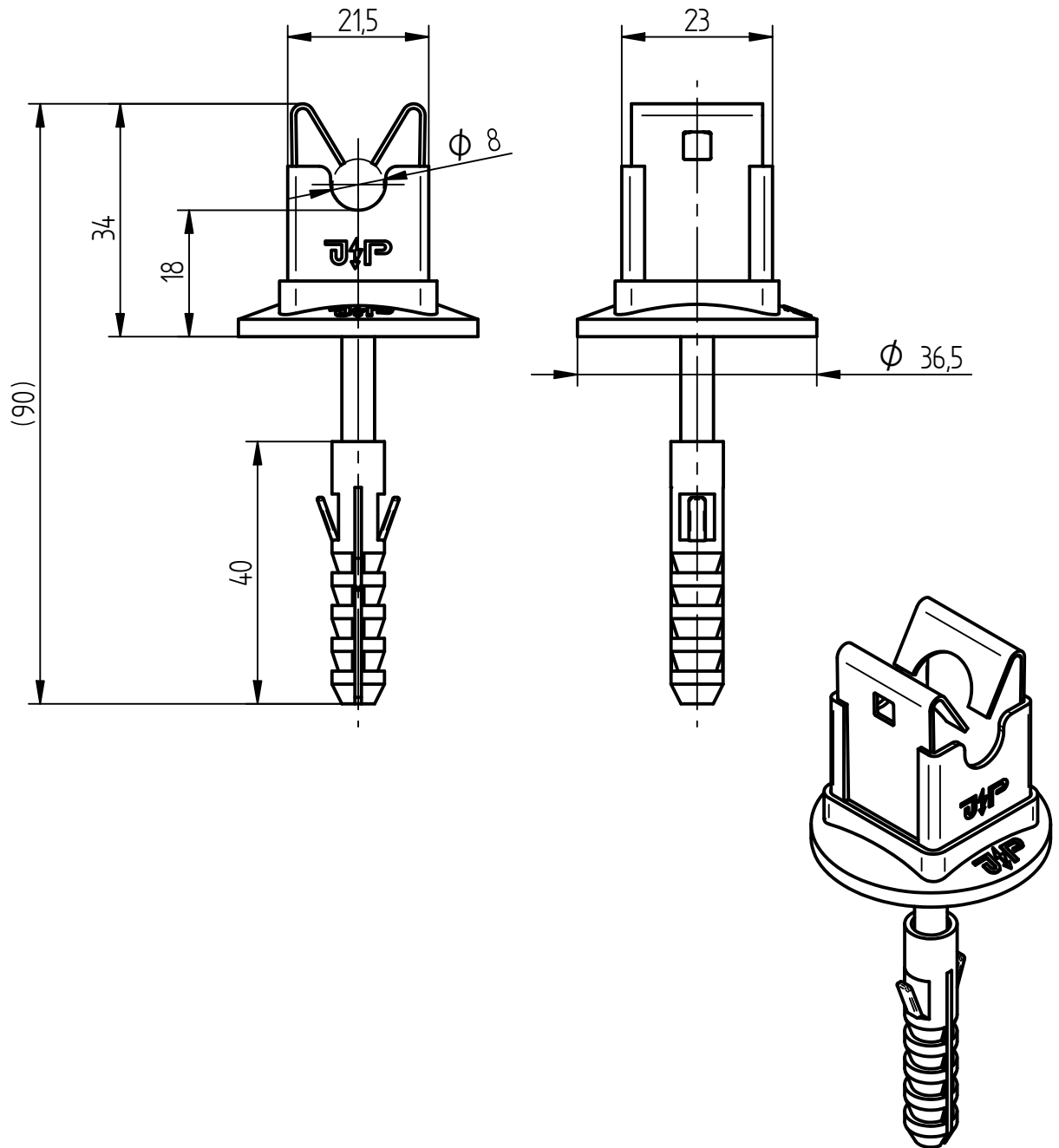
Product Specification

Ord.-No.: 111 031 / E0683645



Specification: Niro-Clip conductor fastener, V2A, Ø 8mm type A, with washer, screw and dowel

Performance: Niro-Clip conductor fastener according to DIN EN 62561-4 for fixing round conductors to walls. Type with washer, screw and dowel.



Material of conductor fastener	Stainless steel V2A
Height of conductor leading	18 mm
Fit of conductor fastener	Ø 8 mm
Conductor leading	fixed, type A
Fit of dowel	Ø 8 mm
Weight	41 g
Standard reference	DIN EN 62561-4
Packing unit	100 units