

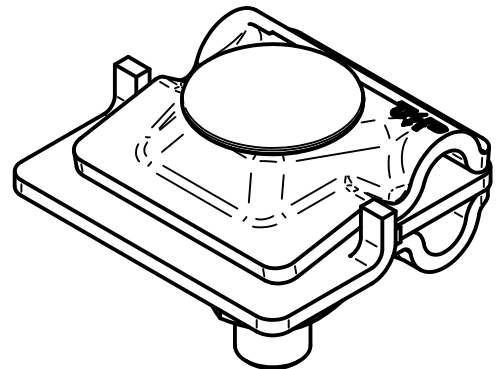
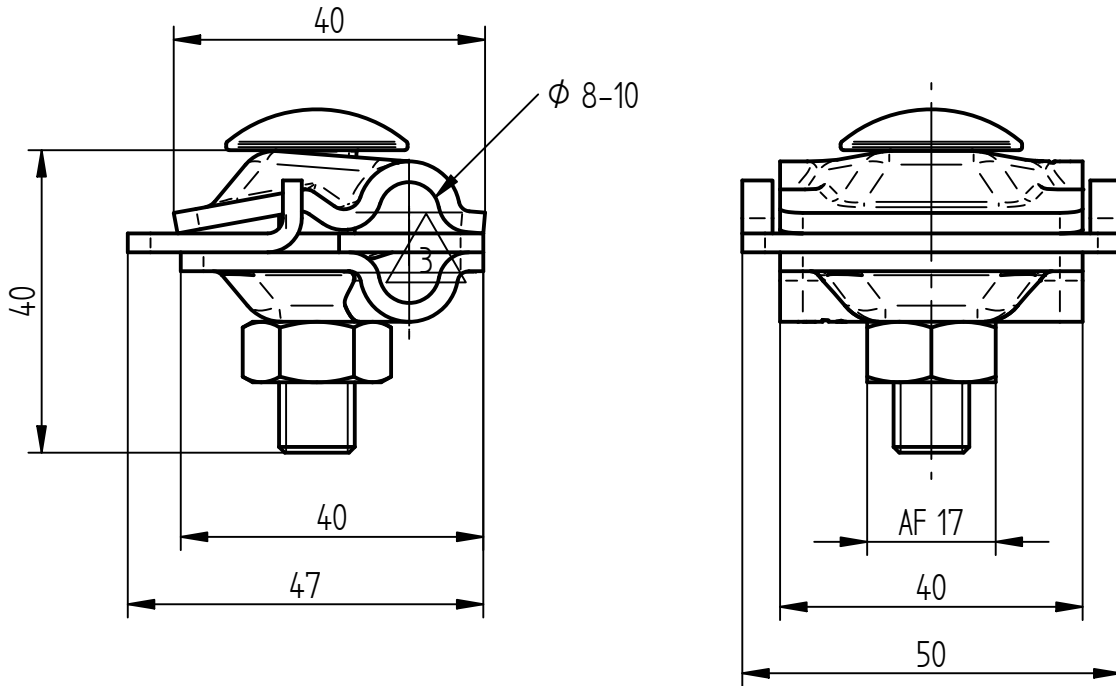
Product Specification

Ord.-No.: 111 273 / E0683648



Specification: Multi-Plus clamp, V2A, Ø 8-10 mm with carriage bolt M10 and nut

Performance: Multi-Plus terminal- and connection-clamp according to DIN EN 62561-1 with intermediate plate for the universal use as T-, cross-, parallel-clamp, joint-connector and metal sheet terminal clamp.



Material of clamp	Stainless steel V2A
Fit	Ø 8-10 mm
Clamping range	up to 8 mm
Contact surface	at least 10 cm ²
Screw	Carriage bolt M10 with nut, stainless steel V2A
Weight	157 g
Standard reference	DIN EN 62561-1
Packing unit	50 units