

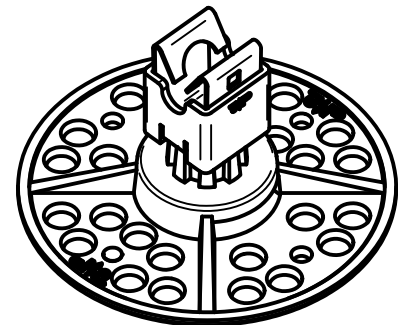
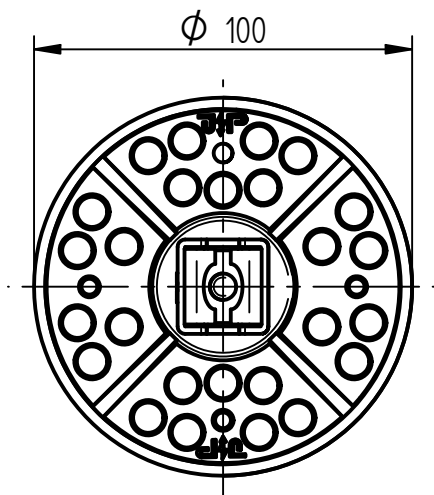
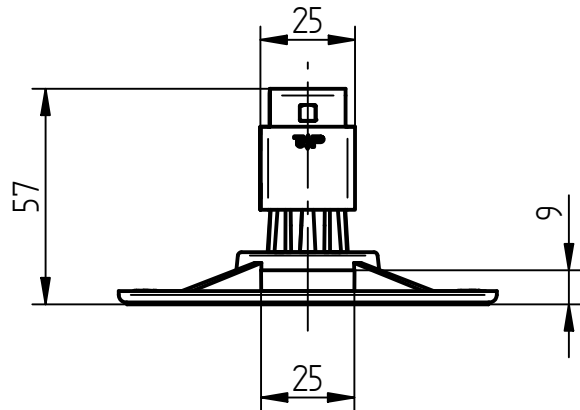
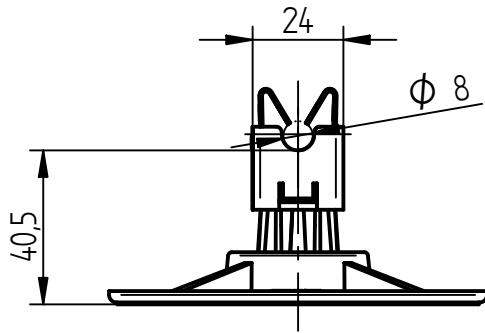
# Product Specification

**Ord.-No.:** 111 635 / E0683765



**Specification:** Roof conductor holder, V2A-PE-HD, Ø 8 mm  
height of conductor leading 40,5 mm

**Performance:** Roof conductor holder according to DIN EN 62561-4 for installing round conductors to synthetic roofing membranes and bitumen roofs.  
Type with Niro-Clip conductor fastener.



**Installation instructions:**

- For foil roofs for fastening with weldable fixing strips (from roofing material)/recommended length of the holding strip ca. 300 mm); Alignment transverse to the line
- For bitumen roofs for direct gluing

**Attention:**

In case of increased stress (e.g. wind stress) it is recommended to weld each holder with the roof membrane!  
With roof pitch > 10°, the rooftop hanger may no longer be applicable depending on the installation situation.  
The fastening with rooftop strips must be carried out by a specialist rooftop company!

Material of clip	Stainless steel V2A
Material of conductor fastener base	PE-HD black
Material of ground base	PE-HD, black, without plasticizer
Diameter of base	100 mm
Height of conductor leading	40.5 mm
Fit of conductor fastener	Ø 8 mm
Weight	34 g
Standard reference	DIN EN 62561-4
Packing unit	100 units