

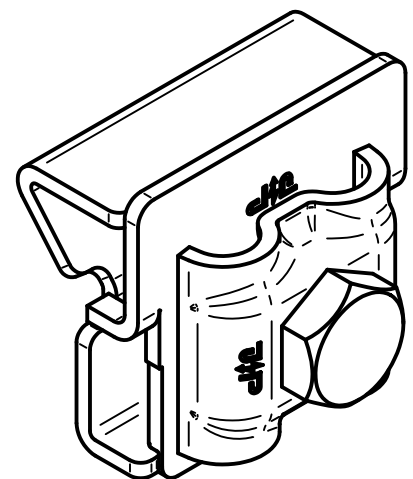
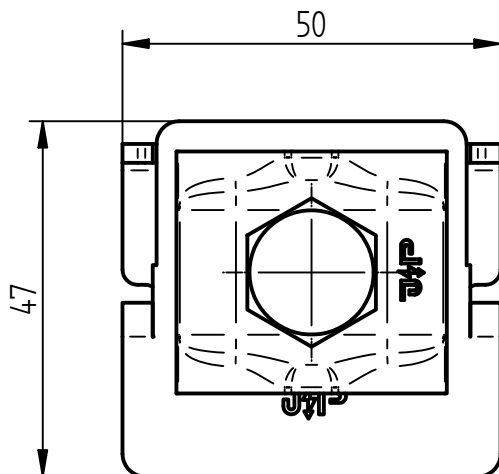
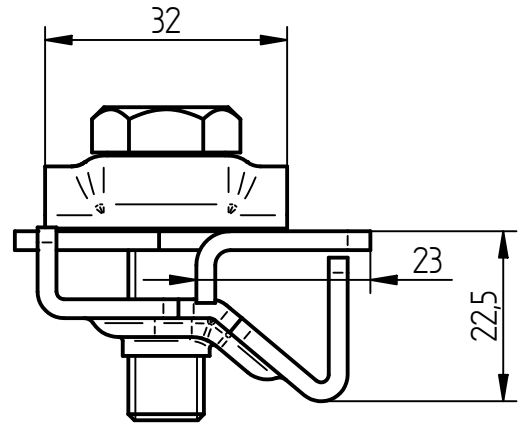
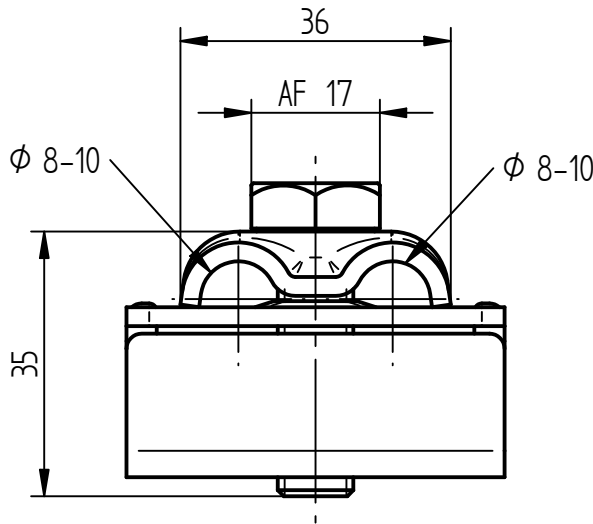
Product Specification

Ord.-No.: **111 669 / E0680239**



Specification: Attic saddle clamp, V2A, Ø 8-10 mm connection of round conductor with attic

Performance: Attic saddle clamp according to DIN EN 62561-1 for the connection of round conductor with the attic without any damage of the water drop edge.



Material	Stainless steel V2A
Clamping range	up to 3 mm
Fit	Ø 8-10 mm
Screw	Hexagon bolt M10, stainless steel V2A
Weight	153 g
Standard reference	DIN EN 62561-1
Packing unit	50 units