

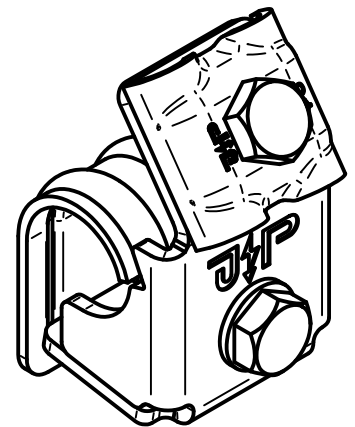
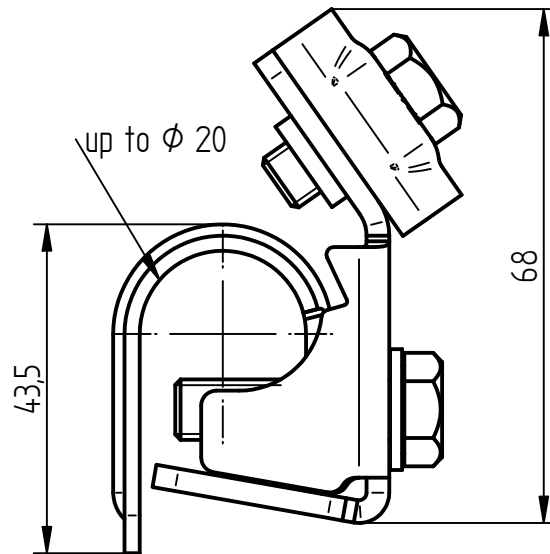
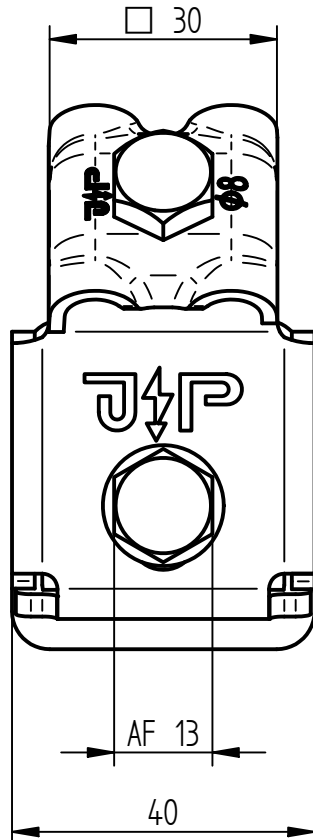
Product Specification

Ord.-No.: 111 673 / E0683771



Specification: Gutter clamp IDEAL, V2A, Ø 6-8 mm for bead thicknesses up to Ø 20 mm

Performance: Gutter clamp IDEAL according to DIN EN 62561-1 for the secure connection to gutters.



Material of clamp	stainless steel V2A
Fit	Ø 6-8 mm
Bead thicknesses	up to Ø 20 mm
Screws	[2x] Hexagon bolt M8, stainless steel V2A
Plain washer	stainless steel V2A
Weight	174 g
Standard reference	DIN EN 62561-1
Packing unit	25 units