

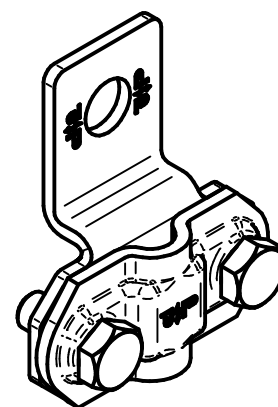
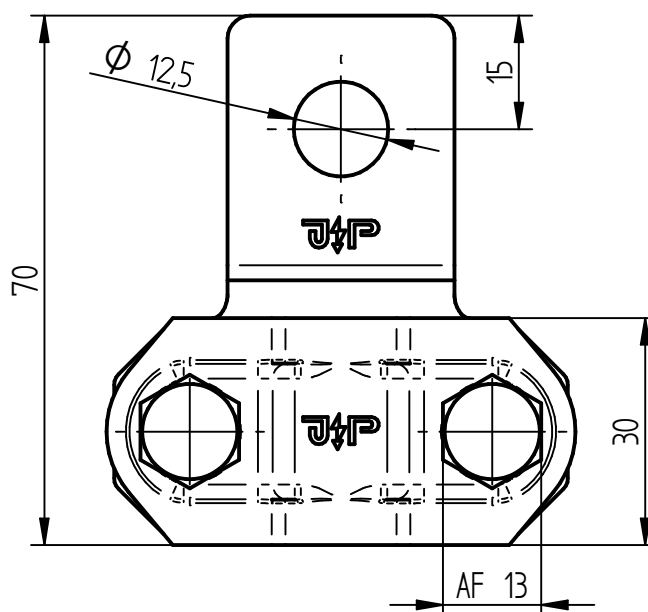
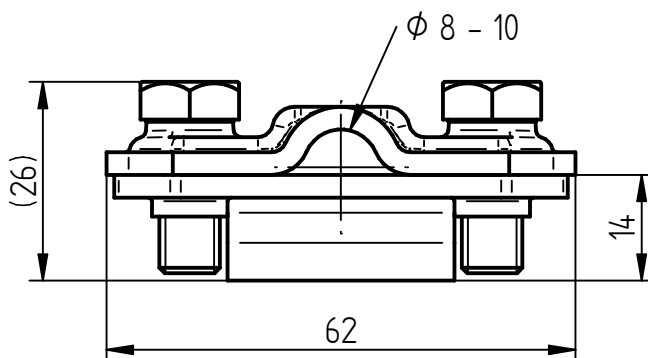
Product Specification

Ord.-No.: **111 701 / E0683569**



Specification: Disconnecting clamp with terminal angle V2A, Ø 8-10 mm

Performance: Disconnecting clamp according to DIN EN 62561-1 for test joints.



Material	Stainless steel V2A
Fit	Ø 8-10 mm
Screws	[2x] Hexagon bolt M8, stainless steel V2A
Short-circuit current (50 Hz), 1 s, ≤ 300 °C	3.3 kA
Weight	131 g
Standard reference	DIN EN 62561-1
Packing unit	50 units