

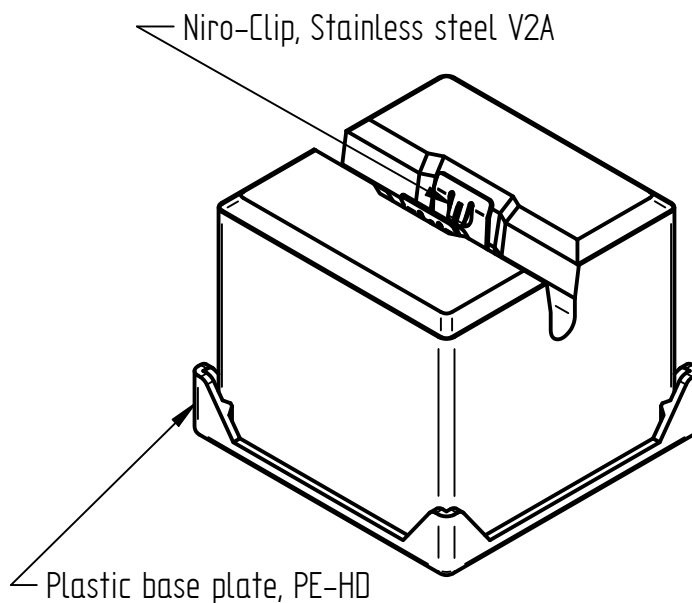
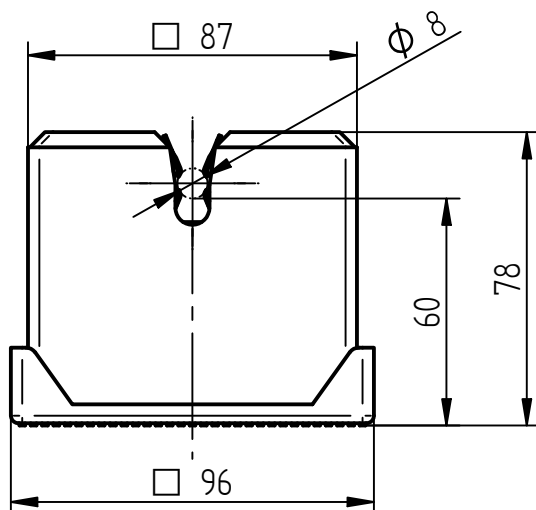
Product Specification

Ord.-No.: **111 730 / E0683739**



Specification: Roof conductor holder PR-ÖKO 3, Ø 8 mm for flat roofs, with plastic base plate

Performance: Roof conductor holder according to DIN EN 62561-4 for installing round conductors to flat roofs. Type with plastic base plate, frost-resistant and weatherproof, parts can be recycled separately.



Dimensions (length x width x thickness)	96 x 96 x 78 mm
Material of conductor fastener	Stainless steel V2A
Material of base	Concrete
Material of plastic base plate	PE-HD
Weight of concrete base	1,2 kg
Height of conductor leading	60 mm
Fit of conductor fastener	Ø 8 mm
Conductor leading	Loose
Temperature resistance	- 30 °C up to 70 °C
Processing temperature	- 10 °C up to 40 °C
Specifications	Neutral to all standard roof foils and bituminous welding sheets
Standard reference	DIN EN 62561-4
Packing unit	8 unit