

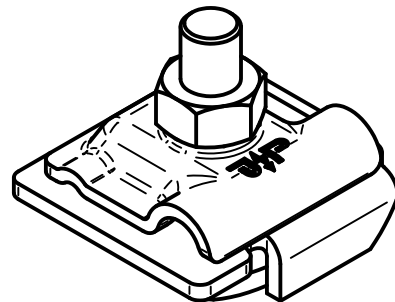
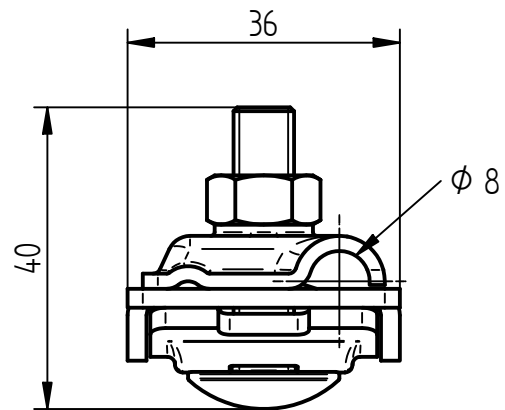
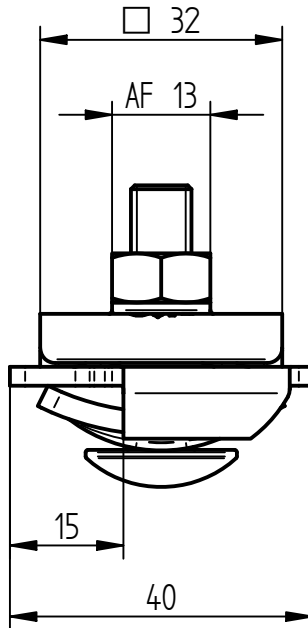
Product Specification

Ord.-No.: **111 780 / E0680267**



Specification: Multi-Mini saddle clamp, V2A, 6 - 50 mm² clamping range up to 8 mm

Performance: Multi-Mini saddle clamp according to DIN EN 62561-1 for secure connection to sheet and steel constructions. Conductor leading lengthwise and crosswise.



Material	stainless steel V2A
Clamping range	up to 8 mm
Fit (single-core/stranded)	6-50 mm ² (Ø 2.8 - 8 mm)
Fit (solid)	Ø 6-8 mm
Screws	Carriage bolt M8 with nut, V2A
Weight	93 g
Standard reference	DIN EN 62561-1
Packing unit	100 unit