

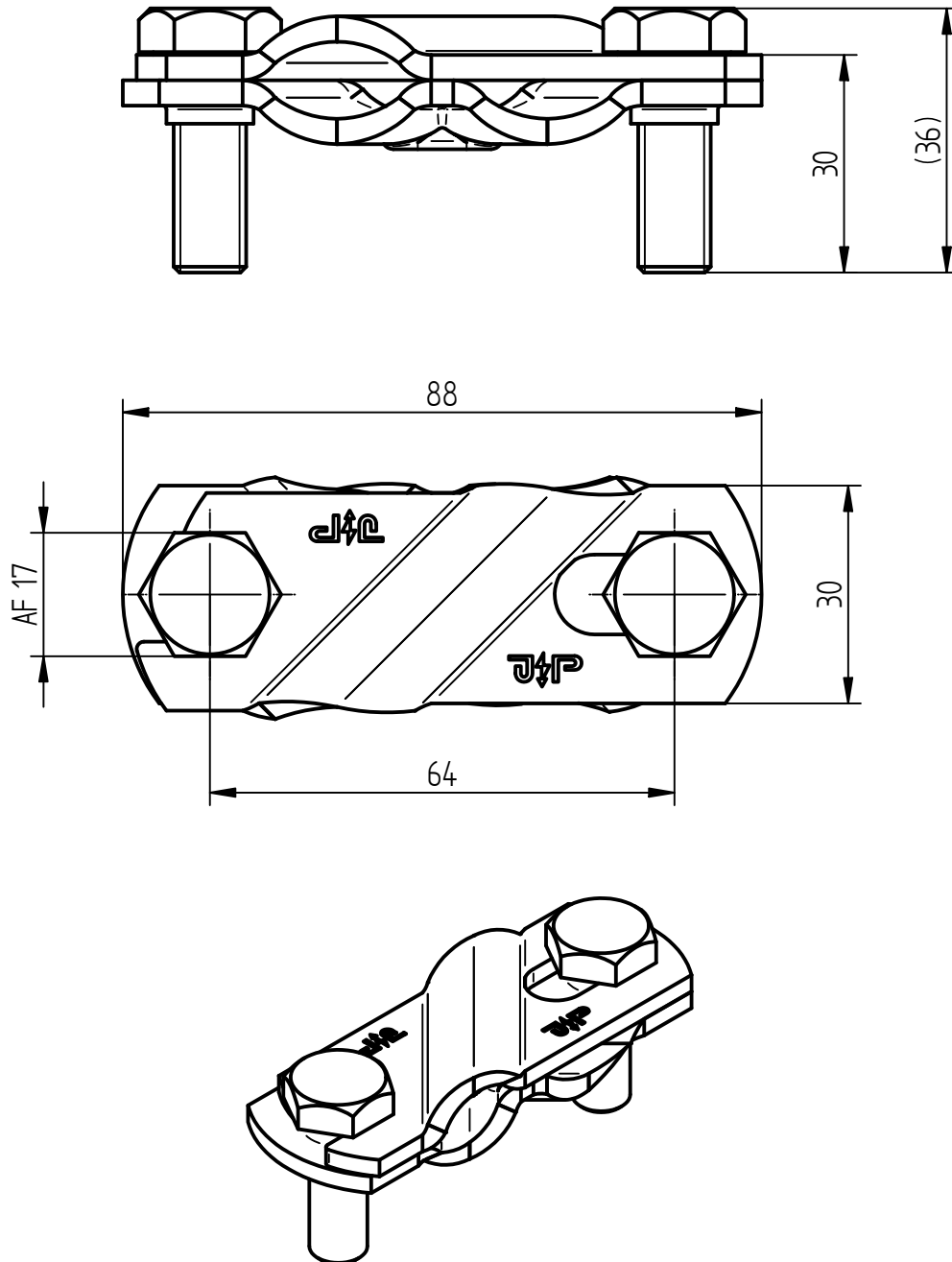
Product Specification

Ord.-No.: 111 795 / E0680195



Specification: Diagonal-swivel-cross clamp, V4A
two-part, round/round, Ø 8-10 / Ø 8-10mm

Performance: Diagonal-swivel-cross clamp according to DIN EN 62561-1 to be used for T-, cross- and parallel connections.



Material	Stainless steel V4A
Fit	Ø 8-10 / Ø 8-10 mm
Type of clamp	two-part, round/round
Screws	[2x] hexagon bolt M10x30, stainless steel V4A
Weight	192 g
Standard reference	DIN EN 62561-1
Packing unit	25 unit