

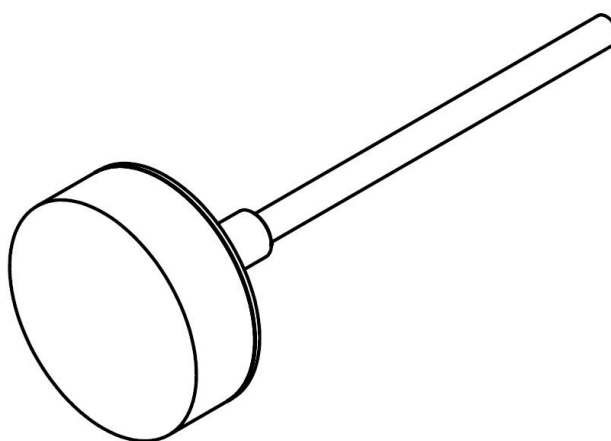
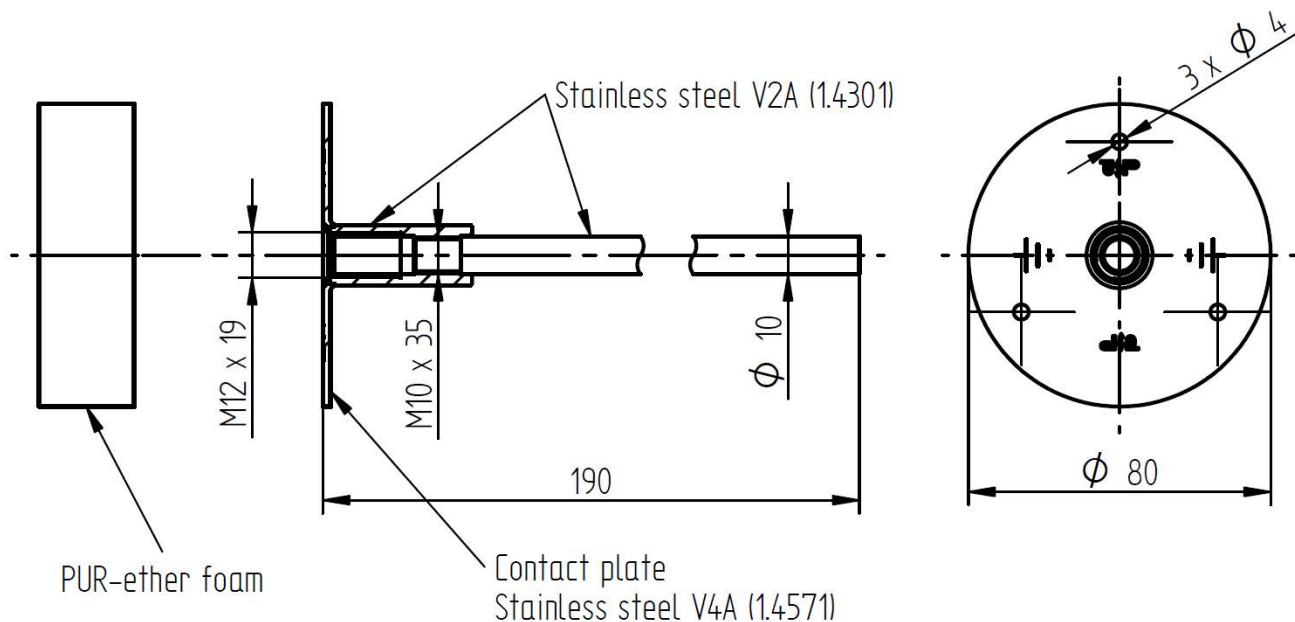
# Product Specification

**Ord.-No.:** **112 006 / E0683660**



**Specification:** Fixed earthing terminal V4A, Ø 10mm, PUR contact plate Ø 80mm, M10 / M12 terminal

**Performance:** Fixed earthing terminal according to DIN EN 62561-1 to be used for the connection to the reinforcement, earth termination system or down conductor with foam cover.



Total length	190 mm
Contact plate	Ø 80 mm
Material of contact plate	Stainless steel V4A
Mounting holes	3 x Ø 4 mm
Connection thread	M10 / M12
Thread depth M10	35 mm
Thread depth M12	19 mm
Terminal stud	Ø 10 mm
Material of terminal stud	stainless steel V2A
Short-circuit current (50 Hz), 1 s, ≤ 300 °C	3.3 kA (M10/M12)
Weight	217 g
Standard reference	DIN EN 62561-1
Packing unit	1 unit