

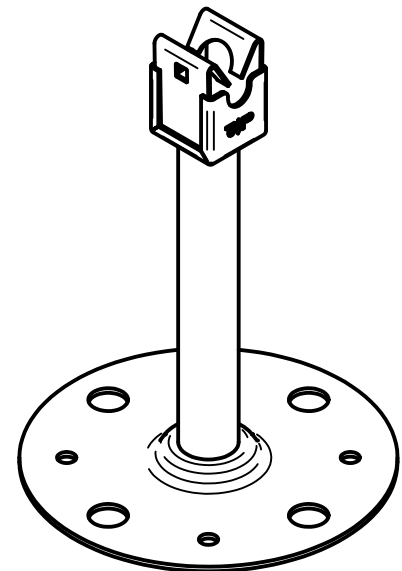
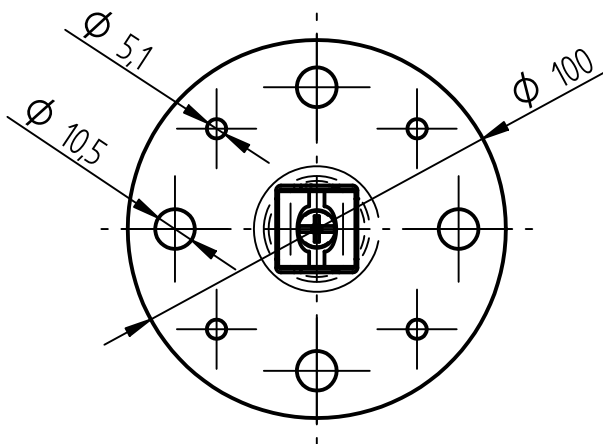
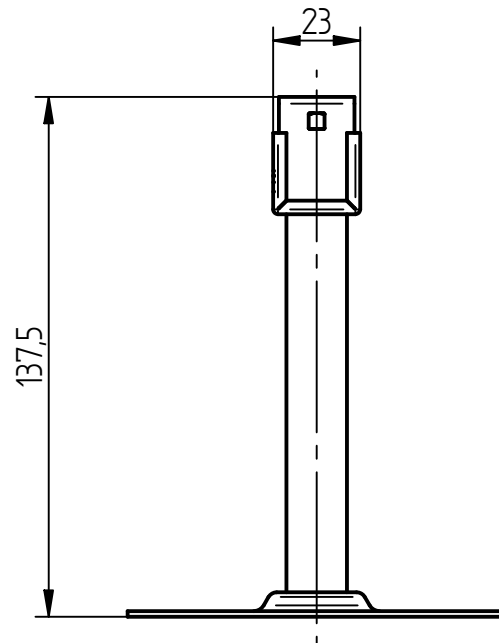
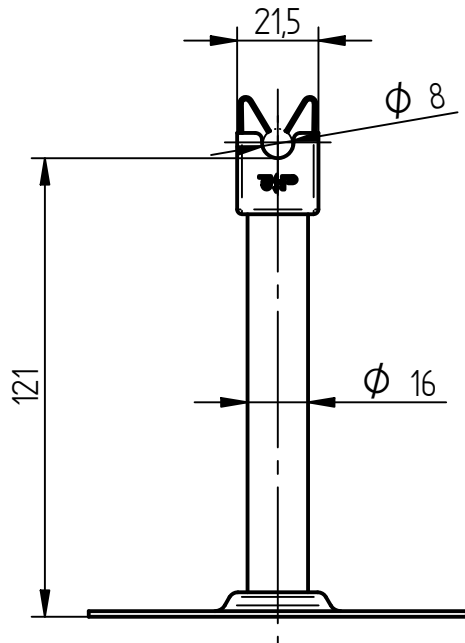
Product Specification

Ord.-No.: 1175 / E0680019



Specification: Roof conductor holder, V2A, Ø 8 mm type A
height of conductor leading 121 mm

Performance: Roof conductor holder according to DIN EN 62561-4 for installing round conductors to bitumen roofs, flat roofs and walls.
Type with Niro-Clip conductor fastener.



Material of base	stainless steel V2A
Material of spacer	PVC
Mounting holes	[4x] Ø 10,5 mm, [4x] Ø 5,1 mm
Diameter of base	100 mm
Material of conductor fastener	stainless steel V2A
Height of conductor leading	121 mm
Fit of conductor fastener	Ø 8 mm
Conductor leading	fixed, type A
Weight	146 g
Standard reference	DIN EN 62561-4
Packing unit	50 units