

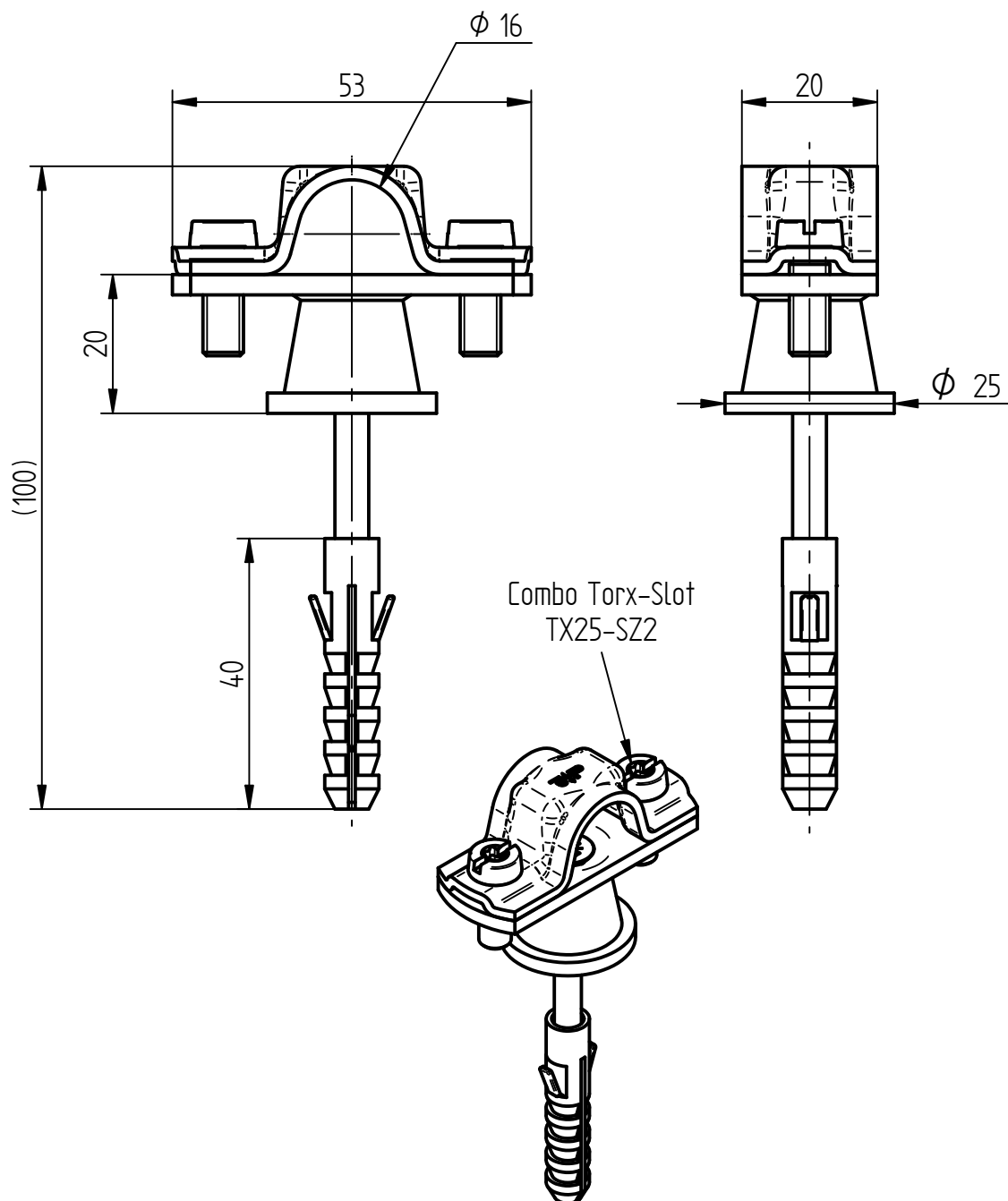
Product Specification

Ord.-No.: **1189 / E0683606**



Specification: Rod holder, V2A, Ø 16 mm with base, screw and dowel

Performance: Rod holder according to DIN EN 62561-4 for fixing air termination rods and earth lead-in rods.
Type with base, screw and dowel.



Material of base	PA 6 grey
Material of rod holder	Stainless steel V2A
Height of conductor leading	20 mm
Fit of rod holder	Ø 16 mm
Fit of dowel	Ø 8 mm
Weight	65,5 g
Standard reference	DIN EN 62561-4
Packing unit	100 units