

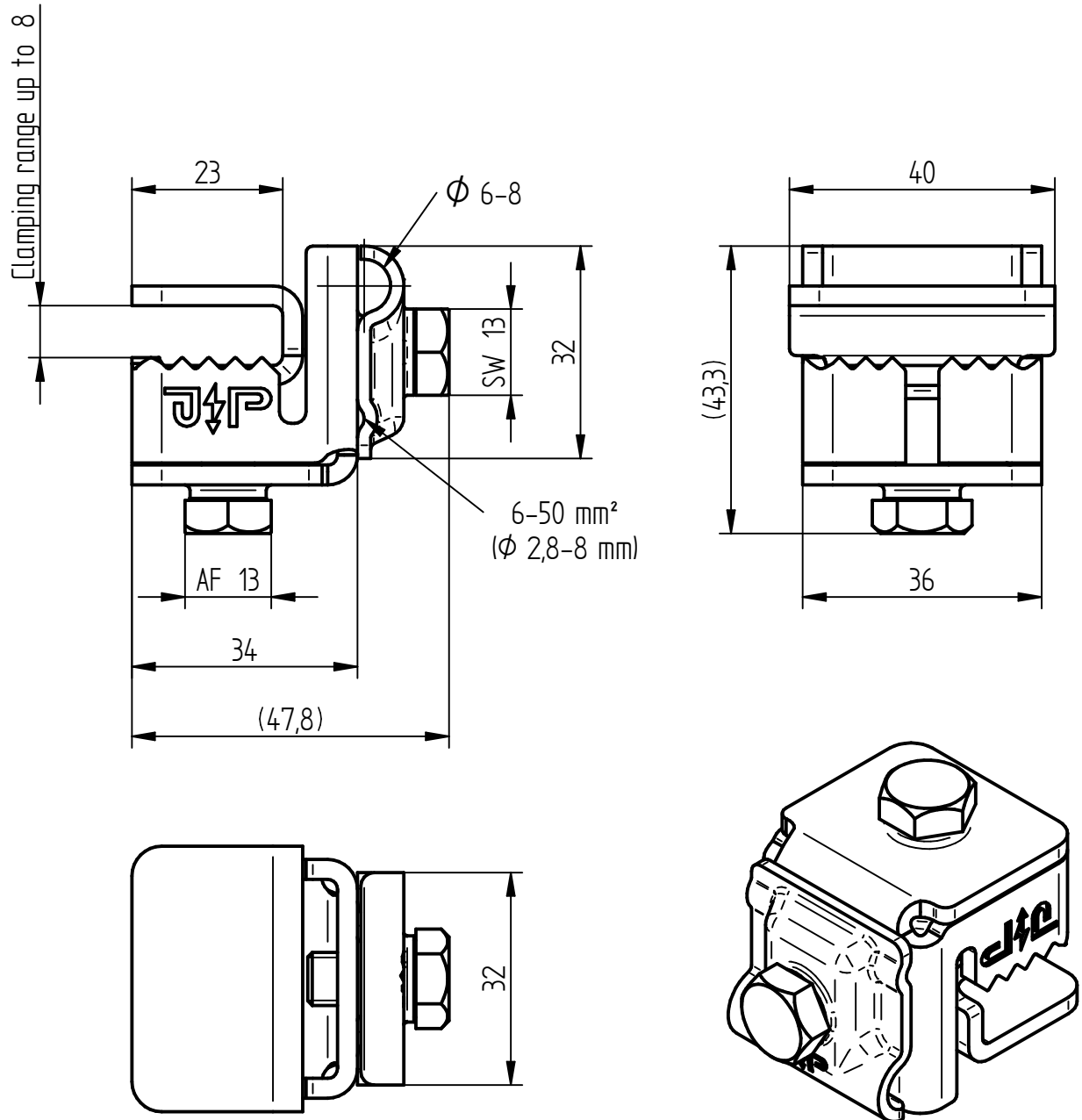
# Product Specification

**Ord.-No.:** **1262 / E0680499**



**Specification:** Saddle clamp "Flex", V2A  
clamping range up to 8 mm

**Performance:** Saddle clamp according to DIN EN 62561-1 with clamping jaw for secure connection to sheet and steel constructions.  
Conductor leading horizontal 360°



Material jagged part	Stainless steel V2A
Material clamp	Stainless steel V2A
Clamping range	up to 8 mm
Material clamping jaw	Stainless steel V2A
Fit (single-core/stranded)	6-50 mm <sup>2</sup> (Ø 2,8-8 mm)
Fit (solid)	Ø 6-8 mm
Screws	[2x] Hexagon bolt M8, stainless steel V2A
Weight	172 g
Standard reference	DIN EN 62561-1
Packing unit	50 units