

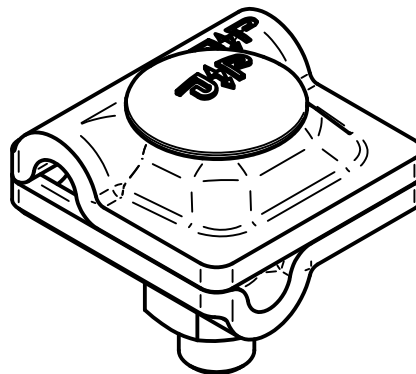
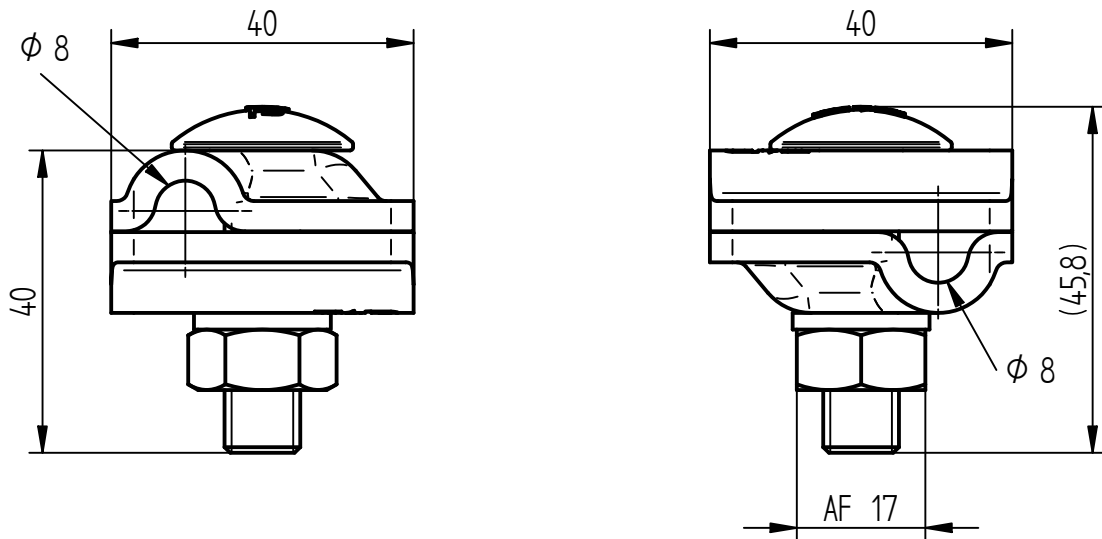
Product Specification

Ord.-No.: 1271 / E0683610



Specification: Multi-clamp, Alu, Ø 8 mm carriage bolt, material thickness 4 mm

Performance: Original-Multi-clamp according to DIN EN 62561-1 for the universal use as T-, cross-, parallel-clamp and joint-connector.



| | |
|--------------------|------------------------------------|
| Material of clamp | Aluminium |
| Fit | Ø 8 mm |
| Material thickness | 4 mm |
| Screw | Carriage bolt M10 with nut, St/tZn |
| Spring lock washer | Stainless steel V2A |
| Weight | 77 g |
| Standard reference | DIN EN 62561-1 |
| Packing unit | 100 units |