

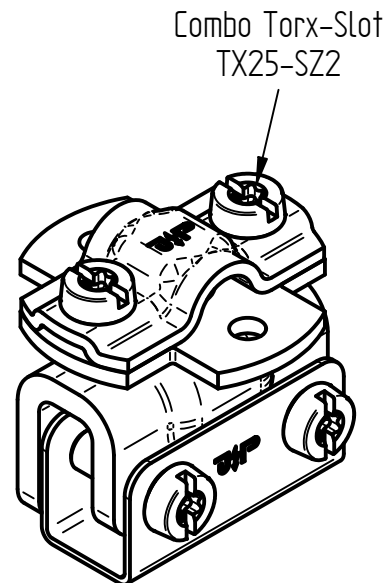
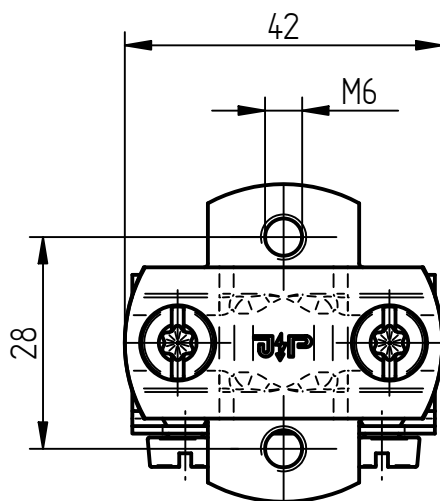
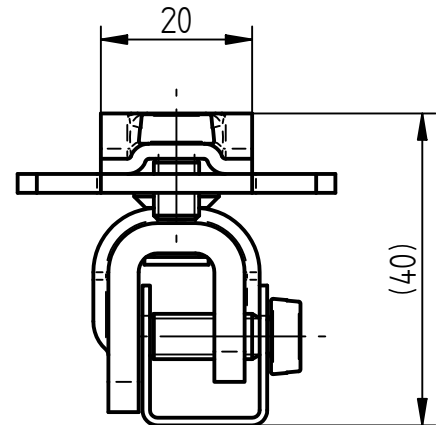
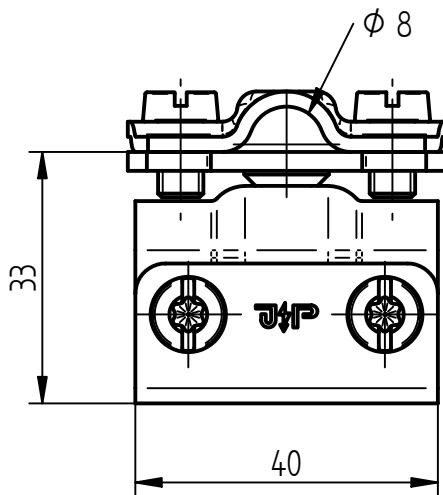
Product Specification

Ord.-No.: 1297 / E0683613



Specification: Cross-saddle clamp, St/tZn, Ø 8 mm clamping range up to 8 mm

Performance: Cross-saddle clamp according to DIN EN 62561-1 with fastener for secure connection to sheet and steel constructions. Conductor leading lengthwise and crosswise.



Material	St/tZn
Clamping range	up to 8 mm
Fit	Ø 8 mm
Screws	[4x] Cylinder head screw M6, stainless steel V2A
Weight	134 g
Standard reference	DIN EN 62561-1
Packing unit	50 units