

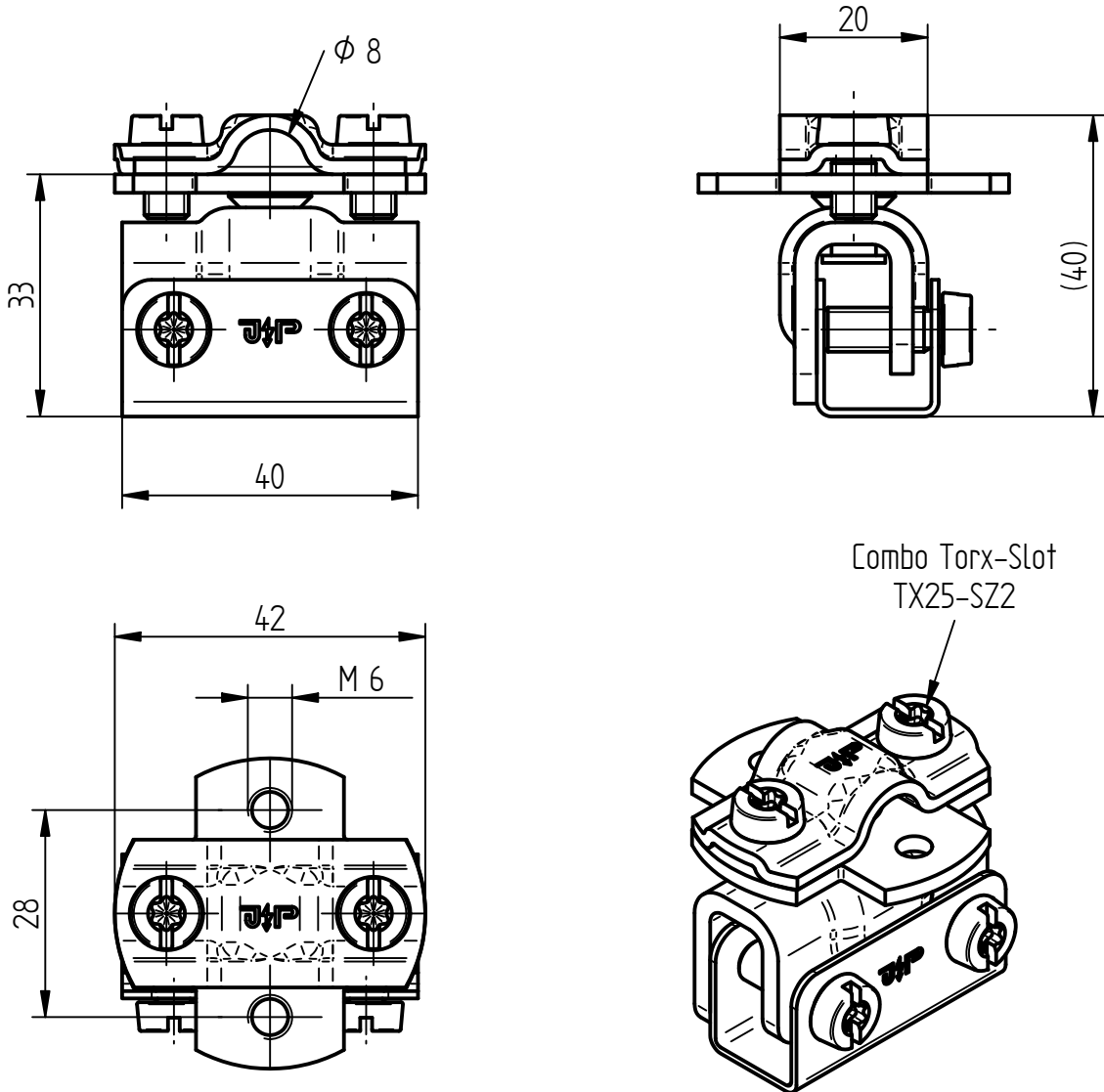
Product Specification

Ord.-No.: 1299 / E0683614



Specification: Cross-saddle clamp, V2A, Ø 8 mm clamping range up to 8 mm

Performance: Cross-saddle clamp according to DIN EN 62561-1 with fastener for secure connection to sheet and steel constructions. Conductor leading lengthwise and crosswise.



Material	Stainless steel V2A
Clamping range	up to 8 mm
Fit	Ø 8 mm
Screws	[4x] Cylinder head screw M6, stainless steel V2A
Weight	114 g
Standard reference	DIN EN 62561-1
Packing unit	50 units