

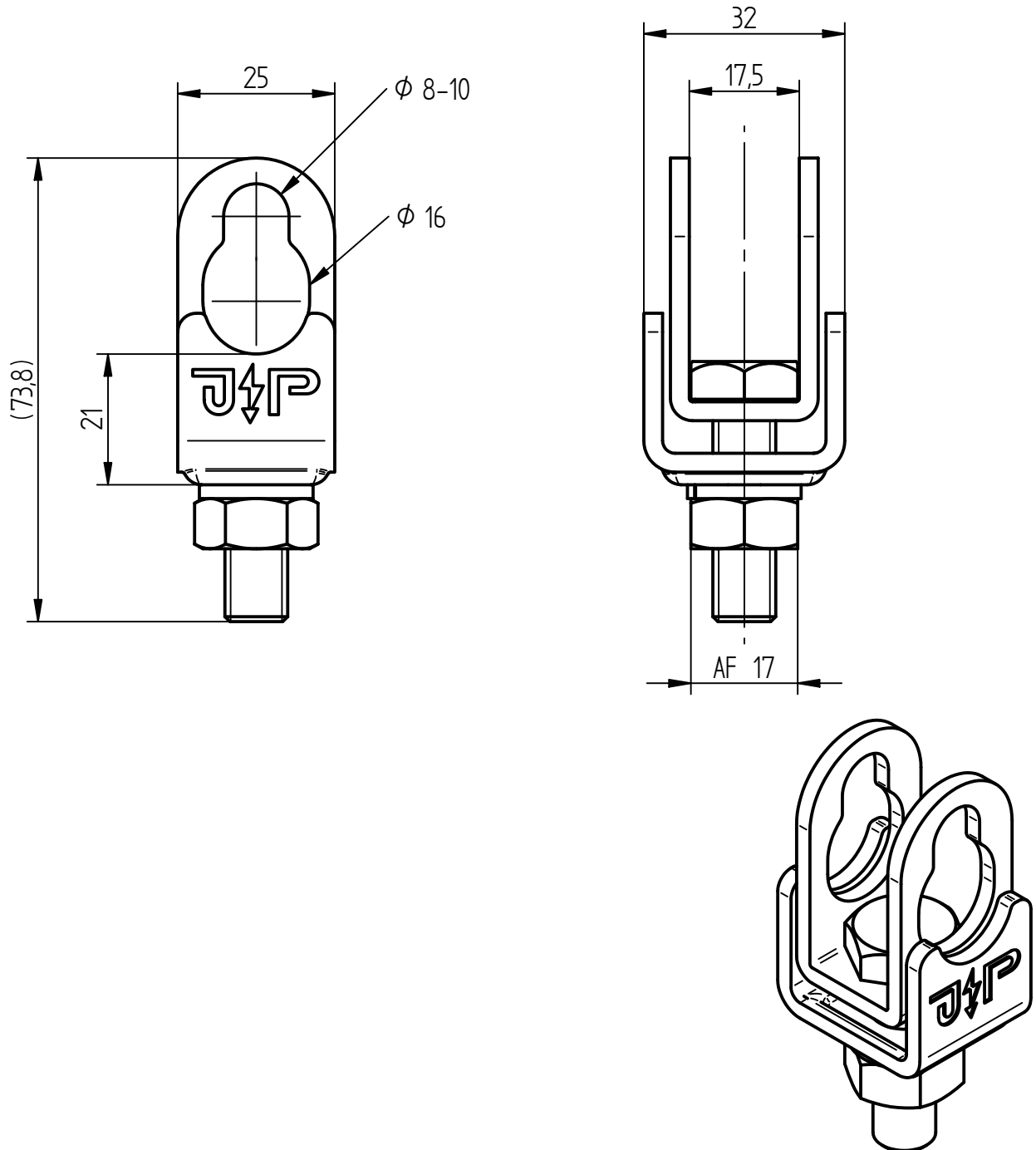
# Product Specification

**Ord.-No.:** **1461 / E0683595**

**Specification:** CC-clamp, V2A, Ø 8-10 mm / Ø 16 mm type B



**Performance:** CC-Clamping System according to DIN EN 62561-1 to be used for the connection of air-termination rods and conductors to clamps, pipe clamps or steel constructions.



Suitable for the connection in explosive atmospheres in zones 2/22.  
The clamp is secured against self-loosening by a spring washer according to DIN EN 62305-3 Supplement 2.

Material	Stainless steel V2A
Fit	Ø 8-10 mm/Ø 16 mm, type B
Screw	Hexagon bolt M10 with nut and spring lock washer, stainless steel V2A
Weight	116 g
Standard reference	DIN EN 62561-1
Packing unit	50 units