

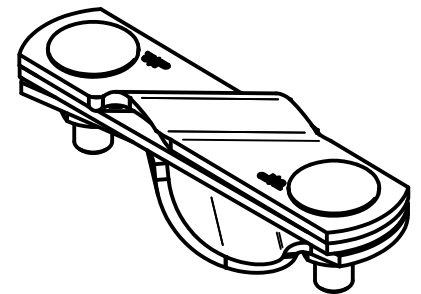
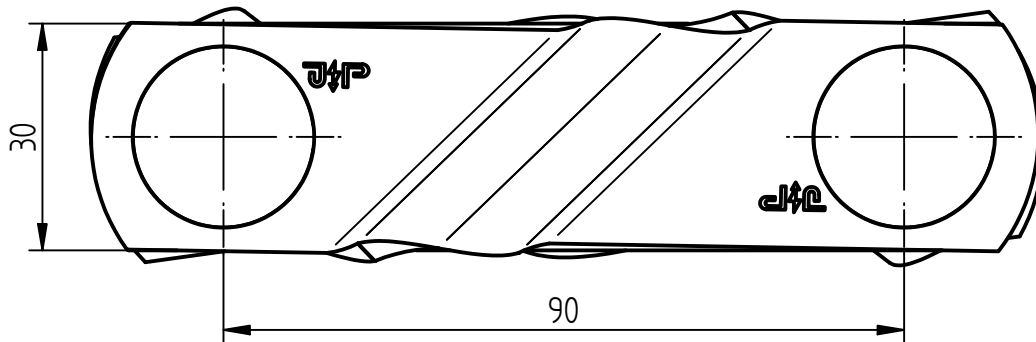
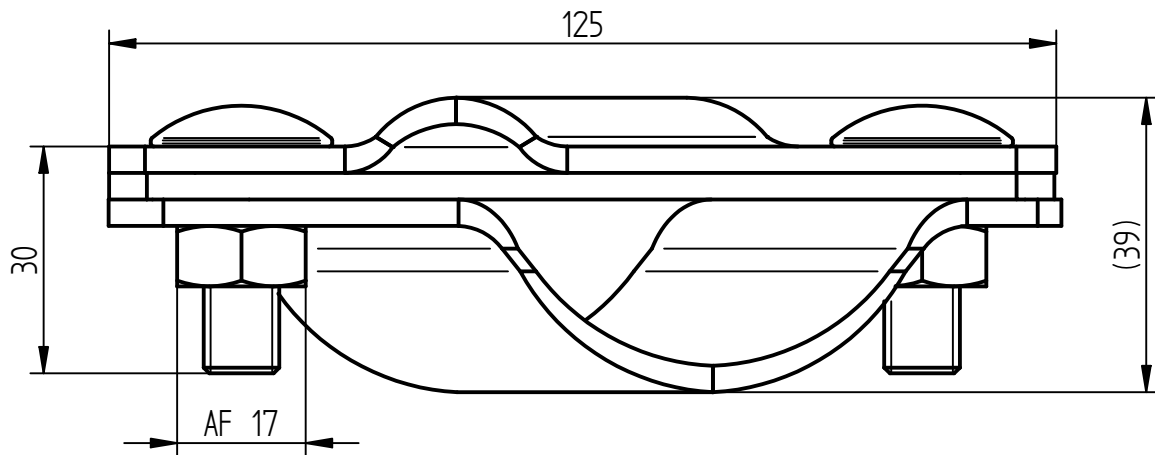
Product Specification

Ord.-No.: **2011 S / E0683599**



Specification: Connection clamp, V2A, for earth rods three-part Ø 8-10 and fl. 30-40 mm / Ø 25 mm

Performance: Connection clamp according to DIN EN 62561-1 for the connection of round conductors, cables or flat conductors to the earth rod.



Material	stainless steel V2A
Screws	M10, stainless steel V2A
Type of clamp	three-part
Fit	Ø 8-10 mm und fl. 30-40 mm / Ø 25 mm
Weight	367 g
Standard reference	DIN EN 62561-1
Packing unit	25 units