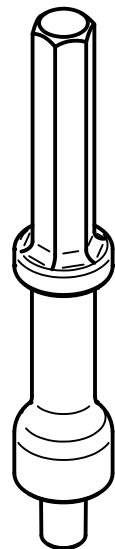
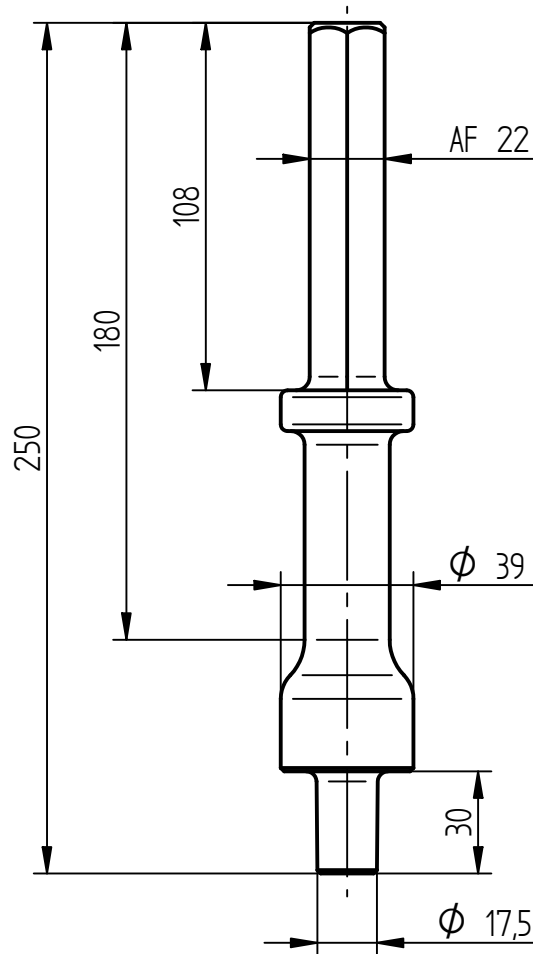


Art.-Nr.: 910 424 / E0683740



Bezeichnung: Hammer insert for Atlas Copco-hammer for JP-tubular earth rods type C (Ø 25 mm)

Leistungstext: Hammer insert suitable for Atlas Copco earth rod driver used to be for driving in of all earth rods Ø 25 mm of the company J. Pröpster GmbH.



Suitable for	Atlas Copco-hammer
System	hexagonal AF 22 mm x 108 mm with milling, AF 7/8" x 4 1/4"
Material	hardened steel
Total length	250 mm
Weight	ca. 1,2 kg
Packing unit	1 unit