

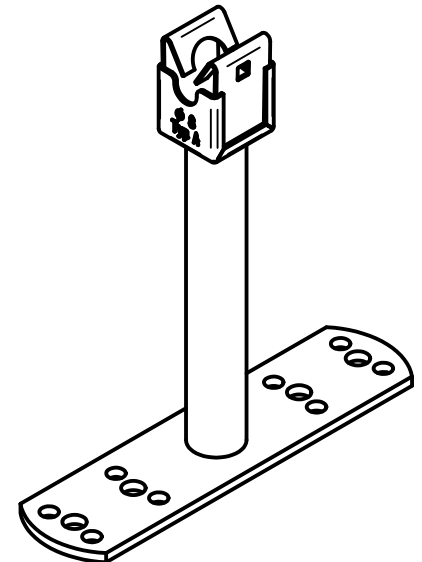
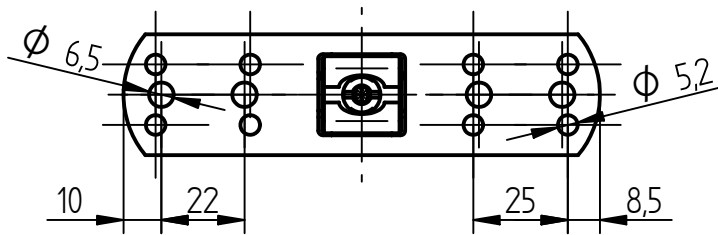
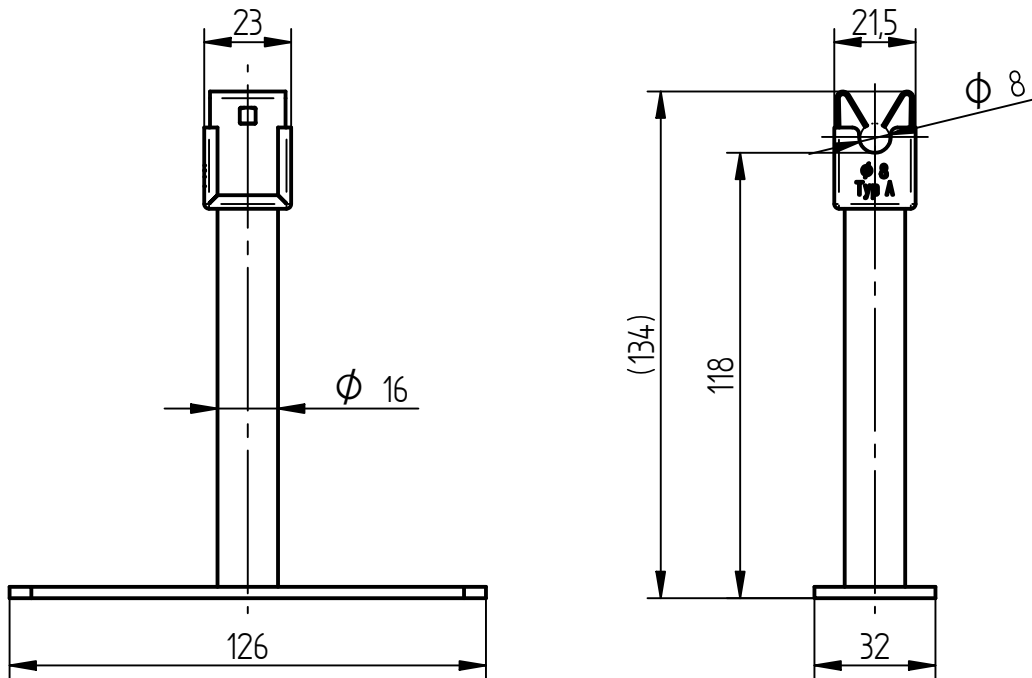
Product Specification

Ord.-No.: **911 150 / E0683759**



Specification: Conductor fastener, Alu, Ø 8 mm/Typ A with terminal plate and distance piece

Performance: Conductor fastener for mounting on walls and metal sheets. Type with Niro-Clip conductor fastener.



Material of base	Aluminium
Material of spacer	PVC
Mounting plate dimensions (length x width x thickness)	126 x 32 x 3 mm
Mounting holes	[4x] Ø 6,5 mm, [8x] Ø 5,2 mm
Material of conductor fastener	Stainless steel V2A
Height of conductor leading	118 mm
Fit of conductor fastener	Ø 8 mm
Conductor leading	fixed, type A
Weight	84 g
Standard reference	DIN EN 62561-4
Packing unit	1 units