

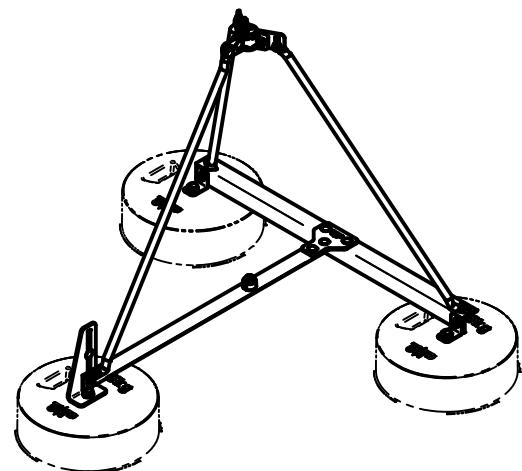
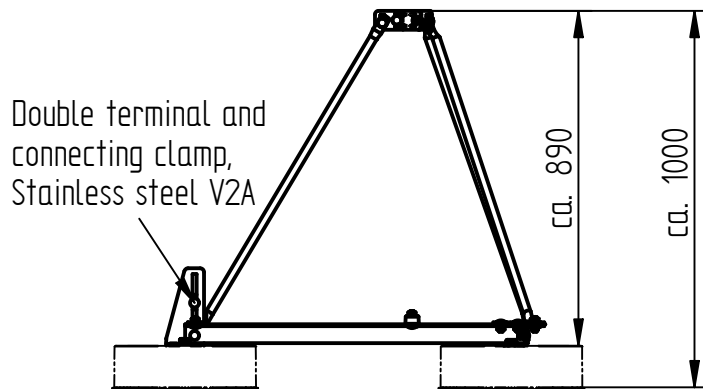
# Product Specification

**Ord.-No.:** 912 300 / E0680242

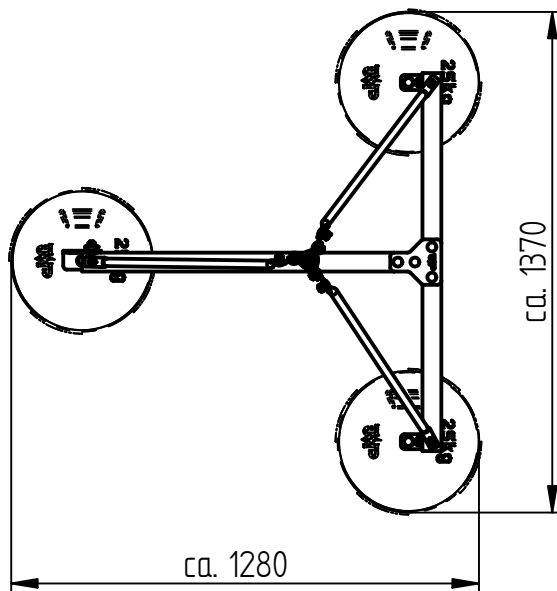


**Specification:** Air-termination pole base frame, Alu including 3 safety braces, for 3 concrete bases

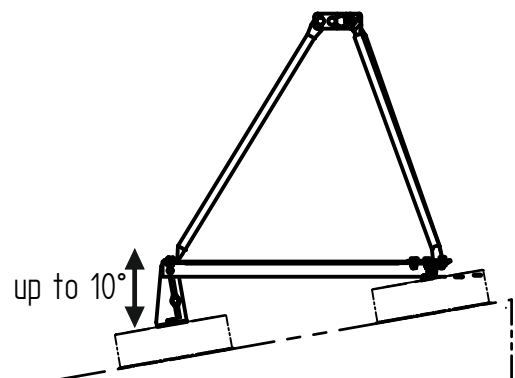
**Performance:** Air-termination pole base frame with 3 safety braces and inclination adjustment for roof pitch up to 10°. For 3 concrete bases round to support air-termination pole Ø 42 mm.



Please note:  
Concrete bases and support plates must be ordered separately.



The support plate for concrete base is urgently necessary on synthetic roofing membranes.



Material of air-termination pole base frame	Aluminium
Material of connecting clamp	Stainless steel V2A
Set-up area	ca. 1370 x 1280 mm
Weight	ca. 6 kg