

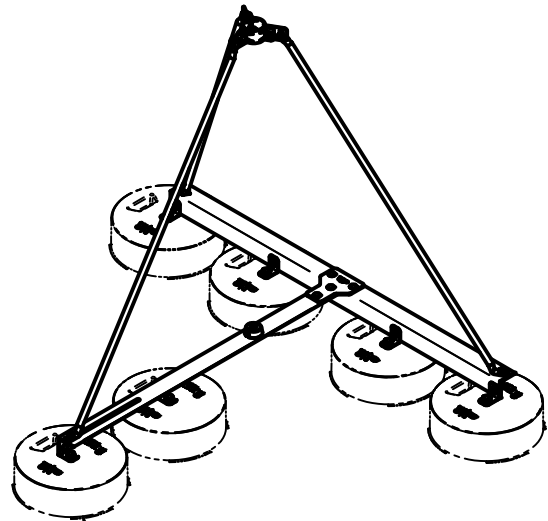
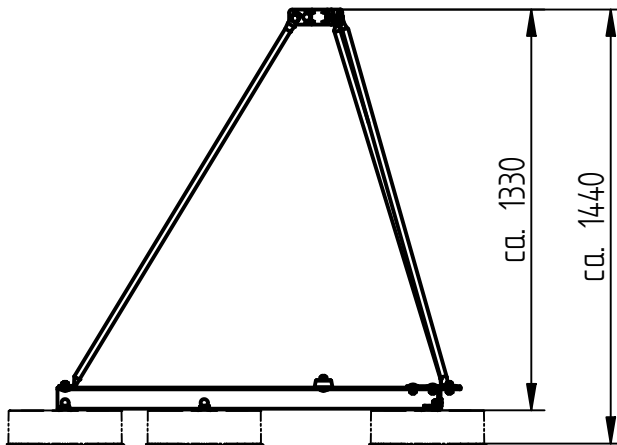
Product Specification

Ord.-No.: 912 311 / E0680262

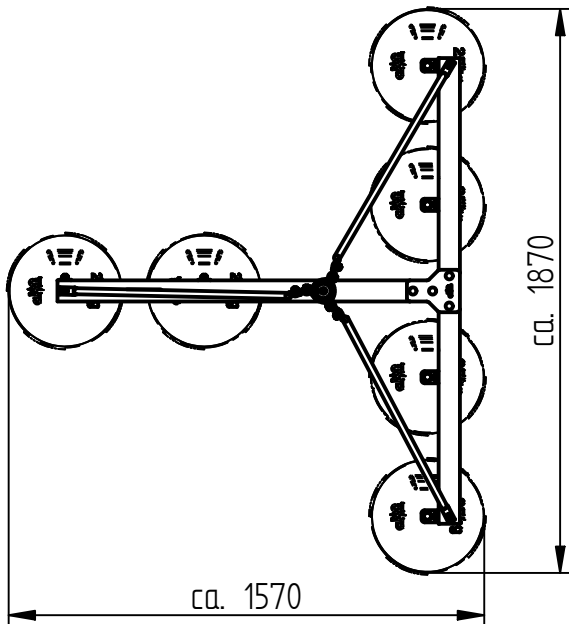


Specification: Air-termination pole base frame, Alu including 3 safety braces, for 6 concrete bases

Performance: Air-termination pole base frame with 3 safety braces and inclination adjustment for roof pitch up to 10°. For 6 concrete bases round to support air-termination pole Ø 42 mm.



Please note:
Concrete bases and support plates must be ordered separately.



The support plate for concrete base is urgently necessary on synthetic roofing membranes.

Material of air-termination pole base frame	Aluminium
Set-up area	ca. 1570 x 1870 mm
Weight	ca. 10,5 kg
tel 08-4498080 info@elrond.se www.elrond.se	
<small>We reserve the right to introduce changes and alterations in shape and technology, dimensions weights and materials. Illustrations are non-binding.</small> <small>Formsheet 991-102-2/23_10_23</small>	